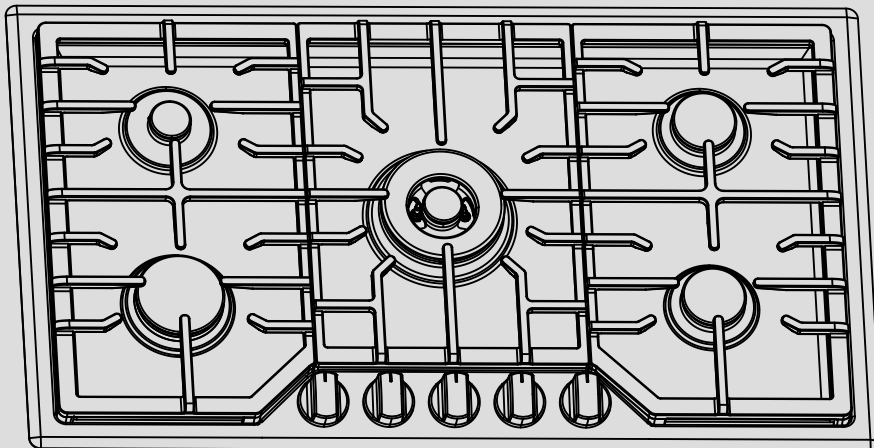


# ROBAM

## User Manual



Before operating this unit, please read the user manual completely and keep it.  
If the manual is lost, you can send e-mail to [overseas@robam.com](mailto:overseas@robam.com), request for an electronic manual.

**JZ(Y/T)-G413  
JZ(Y/T)-7G7H50**

**JZ(Y/T)-G513  
JZ(Y/T)-7G9H50**

**JZ(Y/T)-G515**

Gas Hob

---

## Table of Contents/Table des matières

---

<b>COOKTOP SAFETY</b> .....	<b>2</b>
<b>INSTALLATION REQUIREMENTS</b> .....	<b>3</b>
Tools and Parts .....	3
Location Requirements .....	3
Electrical Requirements .....	7
Gas Supply Requirements .....	7
<b>INSTALLATION INSTRUCTIONS</b> .....	<b>9</b>
Install Cooktop .....	9
Make Gas Connection .....	9
Complete Installation .....	11
<b>SÉCURITÉ DE LA TABLE DE CUISSON</b> .....	<b>13</b>
<b>EXIGENCES D'INSTALLATION</b> .....	<b>14</b>
Outillage et pièces.....	14
Exigences d'emplacement.....	14
Spécifications électriques .....	18
Spécifications de l'alimentation en gaz .....	18
<b>INSTRUCTIONS D'INSTALLATION</b> .....	<b>20</b>
Installation de la table de cuisson.....	20
Raccordement au gaz .....	20
Achever l'installation .....	22

### **IMPORTANT:**

**Installer:** Leave installation instructions with the homeowner.

**Homeowner:** Keep installation instructions for future reference.

### **IMPORTANT :**

**Installateur :** Remettre les instructions d'installation au propriétaire.

**Propriétaire :** Conserver les instructions d'installation pour référence ultérieure.

## COOKTOP SAFETY

### Your safety and the safety of others are very important.

We have provided many important safety messages in this manual and on your appliance. Always read and obey all safety messages.



This is the safety alert symbol.

This symbol alerts you to potential hazards that can kill or hurt you and others.

All safety messages will follow the safety alert symbol and either the word "DANGER" or "WARNING."

These words mean:

**⚠ DANGER**

You can be killed or seriously injured if you don't immediately follow instructions.

**⚠ WARNING**

You can be killed or seriously injured if you don't follow instructions.

All safety messages will tell you what the potential hazard is, tell you how to reduce the chance of injury, and tell you what can happen if the instructions are not followed.

**WARNING: If the information in this manual is not followed exactly, a fire or explosion may result causing property damage, personal injury or death.**

- Do not store or use gasoline or other flammable vapors and liquids in the vicinity of this or any other appliance.
- **WHAT TO DO IF YOU SMELL GAS:**
  - Do not try to light any appliance.
  - Do not touch any electrical switch.
  - Do not use any phone in your building.
  - Immediately call your gas supplier from a neighbor's phone. Follow the gas supplier's instructions.
  - If you cannot reach your gas supplier, call the fire department.
- Installation and service must be performed by a qualified installer, service agency or the gas supplier.

**WARNING:** Gas leaks cannot always be detected by smell.

Gas suppliers recommend that you use a gas detector approved by UL or CSA.

For more information, contact your gas supplier.

If a gas leak is detected, follow the "What to do if you smell gas" instructions.

**IMPORTANT:** Do not install a ventilation system that blows air downward toward this gas cooking appliance. This type of ventilation system may cause ignition and combustion problems with this gas cooking appliance resulting in personal injury or unintended operation.

In the State of Massachusetts, the following installation instructions apply:

- Installations and repairs must be performed by a qualified or licensed contractor, plumber, or gasfitter qualified or licensed by the State of Massachusetts.
- If using a ball valve, it shall be a T-handle type.
- A flexible gas connector, when used, must not exceed 3 feet.

## INSTALLATION REQUIREMENTS

### Tools and Parts

Gather the required tools and parts before starting installation.

#### Tools needed

- |                             |   |
|-----------------------------|---|
| ■ Tape measure              | ■ Wrench or pliers                        |
| ■ Flat-blade screwdriver    | ■ Marker or pencil                        |
| ■ Phillips screwdriver      | ■ Pipe-joint compound resistant to LP gas |
| ■ 15/16" combination wrench | ■ Noncorrosive leak-detection solution    |
| ■ Pipe wrench               |   |

#### Parts supplied

- |                          |                                 |
|--------------------------|---------------------------------|
| ■ Gas pressure regulator | ■ Clamping brackets (2)         |
| ■ Burner grates          | ■ Bracket attachment screws (2) |
| ■ Burner caps            |                                 |
| ■ Burner base            |                                 |

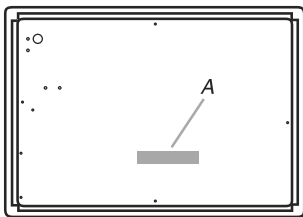
#### Parts needed

Check local codes and consult gas supplier. Check existing gas supply and electrical supply. See "Electrical Requirements" and "Gas Supply Requirements" sections.

### Location Requirements

**IMPORTANT:** Observe all governing codes and ordinances. Do not obstruct flow of combustion and ventilation air.

- It is the installer's responsibility to comply with installation clearances specified on the model/serial rating plate. The model/serial rating plate is located on the underside of the cooktop base.



A. Model/serial rating plate

- To eliminate the risk of burns or fire by reaching over heated surface units, cabinet storage space located above the surface units should be avoided. If cabinet storage is to be provided, the risk can be reduced by installing a range hood that projects horizontally a minimum of 5" (12.7 cm) beyond the bottom of the cabinets.

- The cooktop must be a specified cooktop that is approved to be installed either alone or over an undercounter built-in oven. Check the cooktop base approved installation label for your cooktop model number and approved combinations of cooktops and ovens that can be installed. If you do not find this label, your cooktop may not be approved for use over an undercounter built-in oven. Contact your dealer to confirm that your cooktop is approved.
- Ovens approved for this type of installation will have an approval label located on the top of the oven. If you do not find this label, contact your dealer to confirm that your oven is approved. Refer to oven manufacturer's Installation Instructions for approval for built-in undercounter use and proper cutout dimensions.
- The cooktop should be installed in a location away from strong draft areas, such as windows, doors and strong heating vents or fans.
- All openings in the wall or floor where cooktop is to be installed must be sealed.
- Cabinet opening dimensions that are shown must be used. Given dimensions are minimum clearances.
- Grounded electrical supply is required. See "Electrical Requirements" section. Proper gas supply connection must be available. See "Gas Supply Requirements" section.
- The cooktop is designed to hang from the countertop by its side or rear flanges.
- The gas and electric supply should be located as shown in "Cabinet Dimensions" section so that they are accessible without requiring removal of the cooktop.
- Provide cutout in right rear corner of cutout enclosure as shown to provide clearance for gas inlet, power supply cord, and to allow the rating label to be visible.

**IMPORTANT:** To avoid damage, check with your builder or cabinet supplier to make sure that the materials used will not discolor, delaminate or sustain other damage.

#### Mobile Home - Additional Installation Requirements

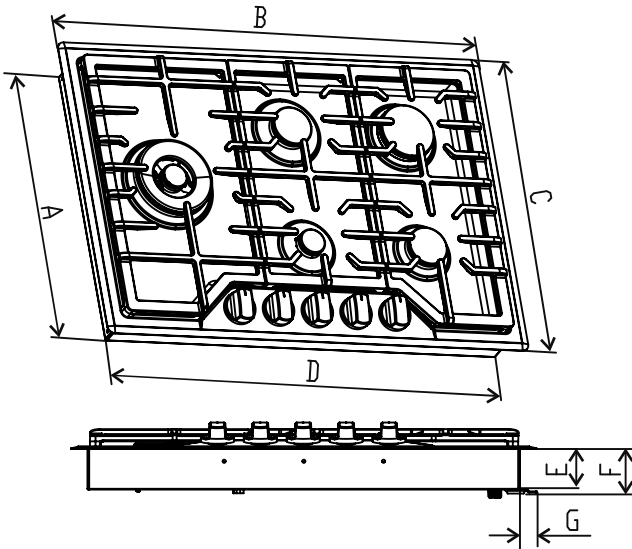
The installation of this cooktop must conform to the Manufactured Home Construction and Safety Standard, Title 24 CFR, Part 3280 (formerly the Federal Standard for Mobile Home Construction and Safety, Title 24, HUD Part 280). When such standard is not applicable, use the Standard for Manufactured Home Installations, ANSI A225.1/NFPA 501A or with local codes.

In Canada, the installation of this cooktop must conform with the current standards CAN/CSA-A240-latest edition, or with local codes.



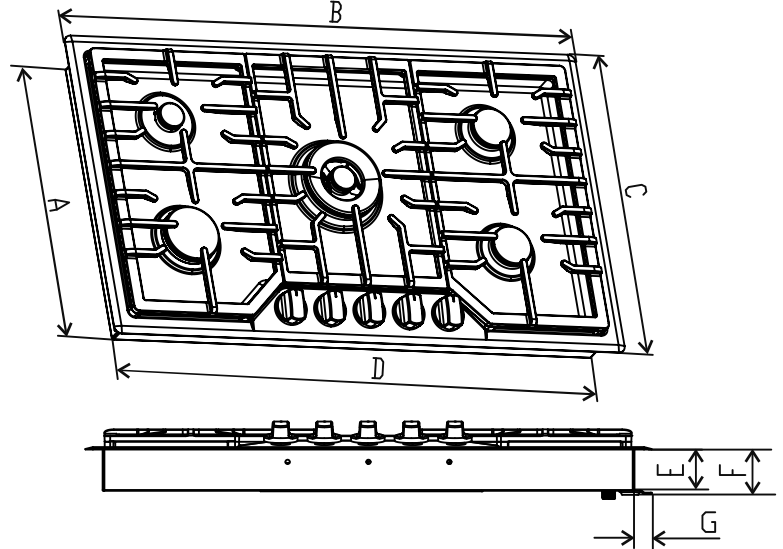
Product Dimensions

**JZ(Y/T)-G513 / 7G7H50 Models**



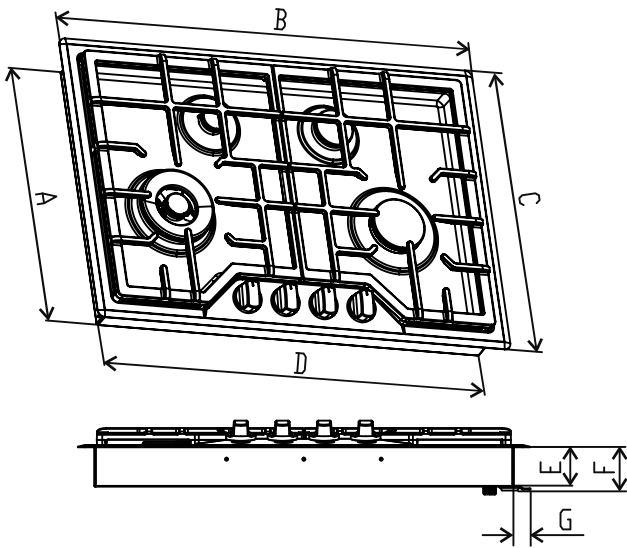
- A. 19"(48.3cm)
- B. 30"(76.0cm)
- C. 21"(53.0cm)
- D. 28"(71.1cm)
- E. 2<sup>3</sup>/<sub>5</sub>"(6.6cm)
- F. 2<sup>7</sup>/<sub>8</sub>"(7.3cm)
- G. 1<sup>1</sup>/<sub>10</sub>"(2.8cm)

**JZ(Y/T)-G515 / 7G9H50 Models**



- A. 19"(48.3cm)
- B. 36"(91.0cm)
- C. 21"(53.0cm)
- D. 34"(86.4cm)
- E. 2<sup>3</sup>/<sub>5</sub>"(6.6cm)
- F. 2<sup>7</sup>/<sub>8</sub>"(7.3cm)
- G. 1<sup>1</sup>/<sub>10</sub>"(2.8cm)

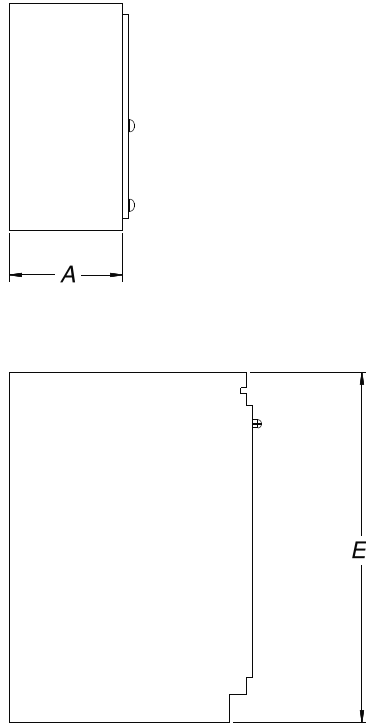
**JZ(Y/T)-G413 Models**



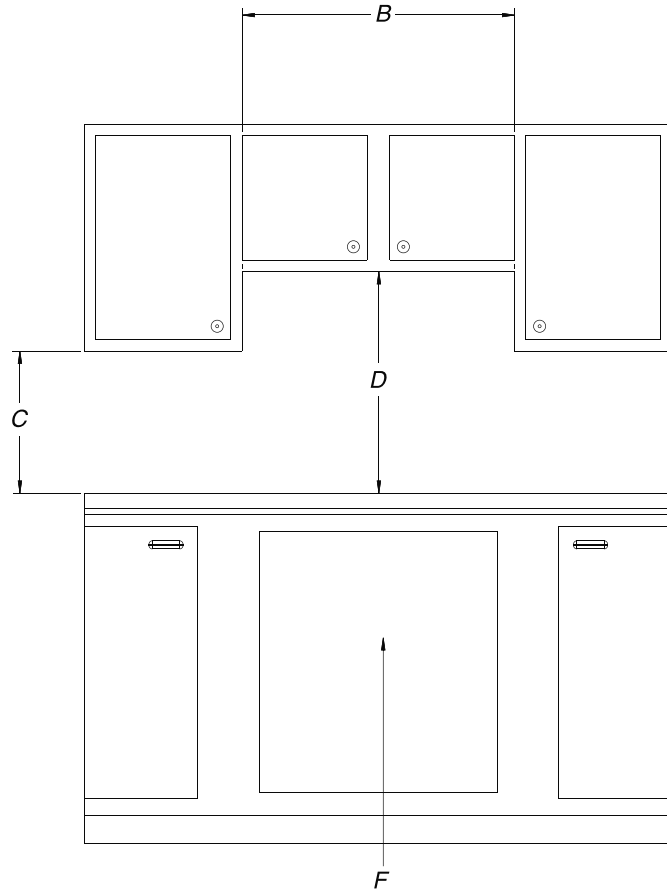
- A. 19"(48.3cm)
- B. 30"(76.0cm)
- C. 21"(53.0cm)
- D. 28"(71.1cm)
- E. 2<sup>3</sup>/<sub>5</sub>"(6.6cm)
- F. 2<sup>7</sup>/<sub>8</sub>"(7.3cm)
- G. 1<sup>1</sup>/<sub>10</sub>"(2.8cm)

**Cabinet Clearances**

**Side View**

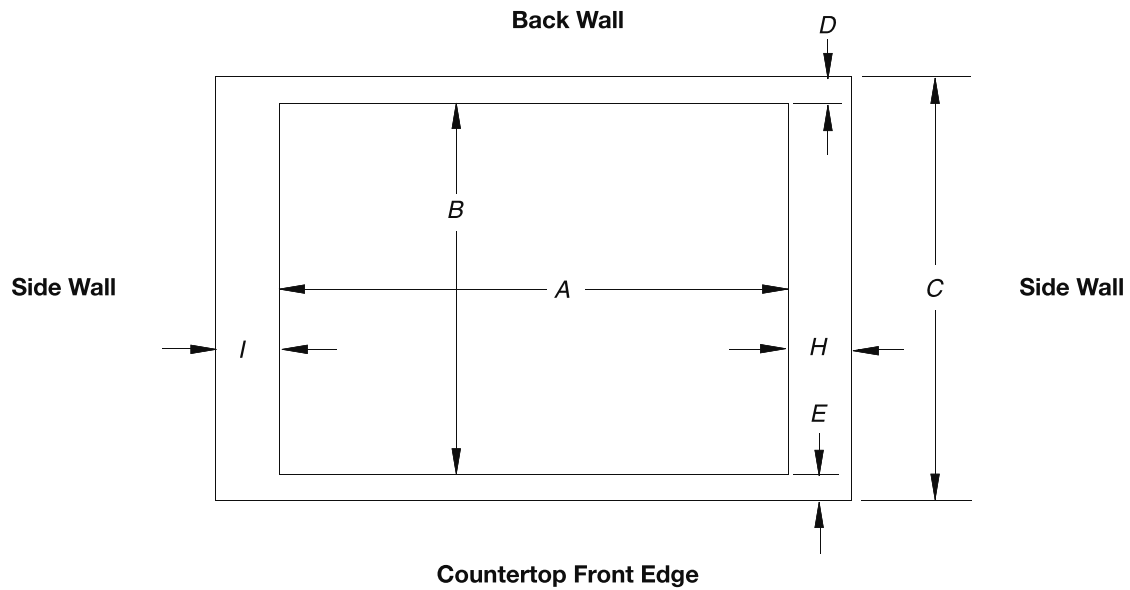


**Front View**



- A. 13" (33.0 cm) recommended upper cabinet depth.
- B. 30" (76.0 cm) for 30" models; 36" (91.0 cm) for 36" models.
- C. 18" (45.7 cm) minimum clearance from upper cabinet to countertop within minimum horizontal clearances to cooktop.
- D. 30" (76.0 cm) minimum clearance between top of cooktop platform and bottom of uncovered wood or metal cabinet.  
24" [61 cm] minimum clearance if bottom of wood or metal cabinet is covered by not less than 1/4" [0.6 cm] flame retardant millboard covered with not less than No. 28 MSG sheet steel, 0.015" [0.04 cm] stainless steel, or 0.024" [0.06 cm] aluminum or 0.020" [0.05 cm] copper.
- E. 36" (91.0 cm) top of countertop to floor.
- F. Gas line opening - Wall: anywhere 5" (12.7 cm) below underside of countertop. Cabinet floor: anywhere within 6" (15.2 cm) of rear wall is recommended.

Cutout Dimensions - Top View



Cutout (Product Opening) Dimensions						
30" (76.0 cm) Models						
Models	A			B		
	Min	Recommended	Max	Min	Recommended	Max
JZ(Y/T)-G513 JZ(Y/T)-G413 JZ(Y/T)-7G7H50	28" (71.1cm)	28 <sup>2</sup> / <sub>5</sub> " (72.2cm)	28 <sup>4</sup> / <sub>5</sub> " (73.2cm)	19 <sup>1</sup> / <sub>10</sub> " (48.5cm)	19 <sup>1</sup> / <sub>3</sub> " (49.1cm)	19 <sup>4</sup> / <sub>5</sub> " (50.3cm)
36" (91.0 cm) Models						
JZ(Y/T)-G515 JZ(Y/T)-7G9H50	34" (86.5cm)	34 <sup>2</sup> / <sub>5</sub> " (87.5cm)	34 <sup>4</sup> / <sub>5</sub> " (88.5cm)	19 <sup>1</sup> / <sub>10</sub> " (48.5cm)	19 <sup>1</sup> / <sub>3</sub> " (49.1cm)	19 <sup>4</sup> / <sub>5</sub> " (50.3cm)

Side Walls (Combustible Surfaces)	
Models	H and I
JZ(Y/T)-G513 JZ(Y/T)-G413 JZ(Y/T)-G515 JZ(Y/T)-7G7H50 JZ(Y/T)-7G9H50	H and I added together must be at least 48"(122.0cm), with each side individually being at least 10"(25.4cm).

Back Wall and Countertop Front Dimensions			
Models	C	D	E
JZ(Y/T)-G513 JZ(Y/T)-G413 JZ(Y/T)-G515 JZ(Y/T)-7G7H50 JZ(Y/T)-7G9H50	29"(73.6cm)	5 <sup>1</sup> / <sub>3</sub> "(15.3cm)	4"(10.2cm)

**NOTES:** After making the countertop cutout, some installations may require notching down the base cabinet side walls to clear the cooktop base. To avoid this modification, use a base cabinet with sidewalls wider than the cutout.

If cabinet has a drawer, a 4" (10.2 cm) depth clearance from the countertop to the top of the drawer (or other obstruction) in base cabinet is required. The drawer depth may need to be shortened to avoid interfering with the regulator.

**IMPORTANT:** If a built-in wall oven is to be installed below this cooktop, the grounded outlet and gas supply piping must be located in an adjacent cabinet.

This cooktop and its gas and electrical supply sources must be installed before the undercounter built-in wall oven is installed.

**Electrical Requirements**

**Gas Supply Requirements**

**⚠ WARNING**



**Electrical Shock Hazard**

- Plug into a grounded 3 prong outlet.
- Do not remove ground prong.
- Do not use an adapter.
- Do not use an extension cord.
- Failure to follow these instructions can result in death, fire, or electrical shock.

**⚠ WARNING**

**Electrical Grounding Instructions**

**This appliance is equipped with a (four- prong) (four-prong) grounding plug for your protection against shock hazard and should be plugged directly into a properly grounded receptacle. Do not cut or remove the grounding prong from this plug.**

**IMPORTANT:** The cooktop must be electrically grounded in accordance with local codes and ordinances, or in the absence of local codes, with the National Electrical Code, ANSI/NFPA 70 or Canadian Electrical Code, CSA C22.1-02.

If codes permit and a separate ground wire is used, it is recommended that a qualified electrical installer determine that the ground path is adequate.

A copy of the above code standards can be obtained from:

National Fire Protection Association  
 One Batterymarch Park  
 Quincy, MA 02269  
 CSA International  
 8501 East Pleasant Valley Road  
 Cleveland, Ohio 44131-5575

- A 120 volt, 60 Hz, AC only, 15-amp, fused electrical circuit is required. A time-delay fuse or circuit breaker is also recommended. It is recommended that a separate circuit serving only this cooktop be provided.
- Electronic ignition systems operate within wide voltage limits, but proper grounding and polarity are necessary. Check that the outlet provides 120-volt power and is correctly grounded.
- The wiring diagrams are provided with this cooktop. See “Wiring Diagrams” on a separate sheet. The wiring diagrams are located on the left underside of the cooktop base.

**⚠ WARNING**



**Explosion Hazard**

- Use a new CSA International approved gas supply line.
- Install a shut-off valve.
- Securely tighten all gas connections.
- If connected to LP, have a qualified person make sure gas pressure does not exceed 14" (36 cm) water column.
- Examples of a qualified person include:  
 licensed heating personnel,  
 authorized gas company personnel, and  
 authorized service personnel.
- Failure to do so can result in death, explosion, or fire.

Observe all governing codes and ordinances.

**IMPORTANT:** This installation must conform with all local codes and ordinances. In the absence of local codes, installation must conform with American National Standard, National Fuel Gas Code ANSI Z223.1 - latest edition or CAN/CGA B149 - latest edition.

**Type of Gas**

**Natural Gas:**

- This cooktop is factory set for use with Natural gas. If converting to Propane gas, see the “Propane Gas Conversion” instructions provided in the package containing literature. The model/serial rating plate located on the underside of the cooktop base has information on the types of gas that can be used. If the types of gas listed do not include the type of gas available, check with the local gas supplier.

**Propane Gas Conversion:**

Conversion must be done by a qualified service technician.

No attempt shall be made to convert the cooktop from the gas specified on the model/serial rating plate for use with a different gas without consulting the serving gas supplier. See the Gas Conversion instructions provided in the package containing literature.

**WARNING:**

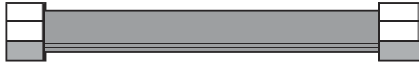
**NEVER** use this appliance as a space heater to heat or warm the room. Doing so may result in carbon monoxide poisoning.

### Gas Supply Line

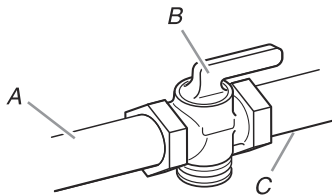
- Provide a gas supply line of 3/4" (1.9 cm) rigid pipe to the cooktop location. A smaller size pipe on longer runs may result in insufficient gas supply. Pipe-joint compounds that resist the action of LP gas must be used. Do not use TEFLON<sup>®</sup> tape. With LP gas, piping or tubing size should be 1/2" minimum. Usually, LP gas suppliers determine the size and materials used in the system.

#### Flexible metal appliance connector:

- If local codes permit, use a 1/2" or 3/4" I.D. flexible stainless steel tubing gas connector, designed by CSA to connect the cooktop to the rigid gas supply line.



- A 1/2" male pipe thread is needed for connection to the female pipe threads of the inlet to the cooktop pressure regulator.
- Do not kink or damage the flexible metal tubing when moving the cooktop.
- Must include a shutoff valve: The supply line must be equipped with a manual shutoff valve. This valve should be located in the same room but external to the cooktop opening, such as an adjacent cabinet. It must be accessible without removing the cooktop, and it should be in a location that allows ease of opening and closing. Do not block access to shutoff valve. The valve is for turning on or shutting off gas to the cooktop.



A. Gas supply line  
B. Shutoff valve "open" position  
C. To cooktop

- Leak testing of the appliance shall be conducted according to the manufacturer's instructions.

### Gas Pressure Regulator

The gas pressure regulator supplied with this cooktop must be used. The inlet pressure to the regulator should be as follows for proper operation:

#### Natural Gas:

Minimum pressure: 4" (9.9cm) WCP

Maximum pressure: 7" to 14" (17.8 cm to 35.5 cm) WCP

#### Propane Gas:

Minimum pressure: 10" (25.4 cm) WCP

Maximum pressure: 14" (35.5 cm) WCP

Contact local gas supplier if you are not sure about the inlet pressure.

### Burner Input Requirements

Input ratings shown on the model/serial rating plate are for elevations up to 2,000 ft (609.6 m).

For elevations above 2,000 ft (609.6 m), ratings should be reduced at a rate of 4% for each 1,000 ft (304.8 m) above sea level (not applicable for Canada).

### Gas Supply Pressure Testing

Gas supply pressure for testing regulator must be at least 1" water column pressure above the manifold pressure shown on the model/serial rating plate.

#### Line pressure testing above 1/2 psi gauge (14" WCP)

The cooktop and its individual shutoff valve must be disconnected from the gas supply piping system during any pressure testing of that system at test pressures in excess of 1/2 psi (3.5 kPa).

#### Line pressure testing at 1/2 psi gauge (14" WCP) or lower

The cooktop must be isolated from the gas supply piping system by closing its individual manual shutoff valve during any pressure testing of the gas supply piping system at test pressures equal to or less than 1/2 psi (3.5 kPa).

If you need to replace the gas source, please go to the designated vendor to purchase the conversion package corresponding to the product.

Product model : JZ (Y/T) – G513 JZ(Y/T)–G515 corresponding PARTNO:880.

Product model : JZ (Y/T) – G413 corresponding PART NO : 881.

Product model : JZ (Y/T) – 7G7H50 corresponding PART NO : 882.

Product model : JZ (Y/T) – 7G9H50 corresponding PART NO : 883.

Please follow the conversion instructions.

The seller's contact details are as follows : See the cover.

Save the orifices removed from the appliance for future use.

# INSTALLATION INSTRUCTIONS

## Install Cooktop

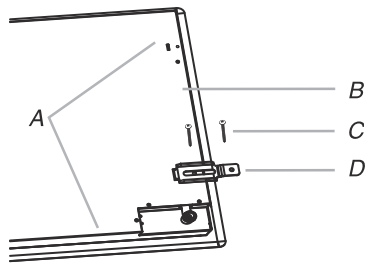
### **⚠ WARNING**

#### Excessive Weight Hazard

**Use two or more people to move and install cooktop.  
Failure to do so can result in back or other injury.**

Decide on the final location for the cooktop. Avoid drilling into or severing existing wiring during installation.

1. Determine whether your cabinet construction provides clearance for installing clamping brackets at cooktop base ends. This is the recommended location. Clamping brackets can be installed on the front and back of cooktop base bottom, if necessary.

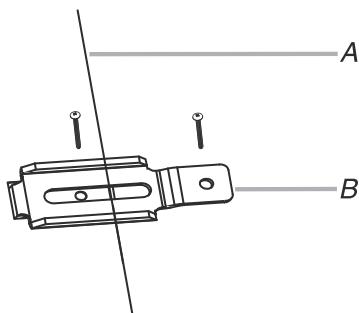


A. Attachment screw holes for optional front and back location  
B. Cooktop base bottom  
C. Attachment screw  
D. Clamping bracket (end locations recommended)

2. Using 2 or more people, place cooktop right side up into the cutout.

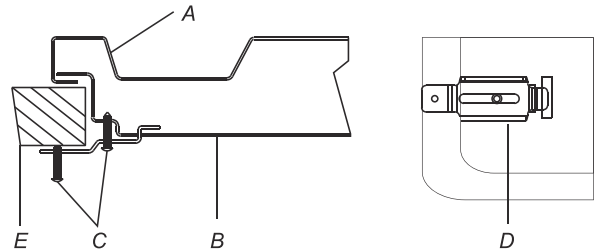
**NOTE:** Make sure that the front edge of the cooktop is parallel to the front edge of the countertop. If repositioning is needed, lift entire cooktop up from cutout to avoid scratching the countertop.

3. Remove the attachment screws for the selected bracket locations from the bottom of the cooktop base.



A. Edge of cooktop base bottom  
B. Clamping bracket

4. Attach brackets to cooktop base bottom with bracket attachment screws. Securely tighten screws.



A. Cooktop  
B. Cooktop base  
C. 2" (5.1 cm) bracket attachment screw  
D. Clamping bracket (extends far enough beyond cooktop base to allow installation of clamping screws)  
E. Countertop

## Make Gas Connection

### **⚠ WARNING**



#### Explosion Hazard

**Use a new CSA International approved gas supply line.**

**Install a shut-off valve.**

**Securely tighten all gas connections.**

**If connected to propane, have a qualified person make sure gas pressure does not exceed 14" (36 cm) water column.**

**Examples of a qualified person include:**

**licensed heating personnel,  
authorized gas company personnel, and  
authorized service personnel.**

**Failure to do so can result in death, explosion, or fire.**

#### Typical flexible connection

1. Apply pipe-joint compound made for use with Natural and propane gas to the smaller thread ends of the flexible connector adapters (see C and G in the following illustration).
2. Attach one adapter to the gas pressure regulator and the other adapter to the gas shutoff valve. Tighten both adapters.

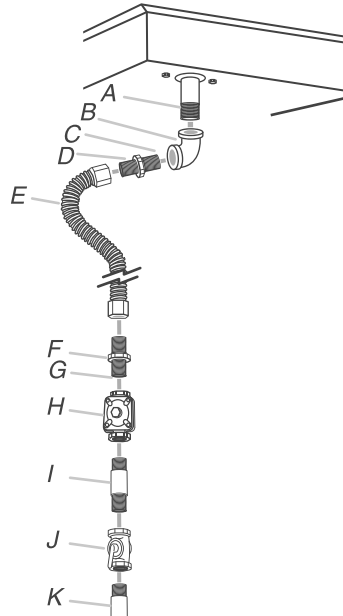
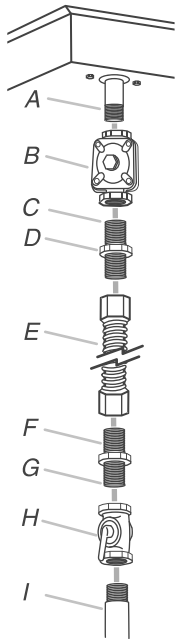
- Use a  $\frac{15}{16}$ " combination wrench and channel lock pliers to attach the flexible connector to the adapters. Check that connector is not kinked.

**IMPORTANT:** All connections must be wrench-tightened. Do not make connections to the gas regulator too tight. Making the connections too tight may crack the regulator and cause a gas leak. Do not allow the regulator to turn when tightening fittings.

- Install the pressure regulator with the arrow pointing in the direction toward the bottom of the cooktop base and in a position where you can reach the regulator access cap.

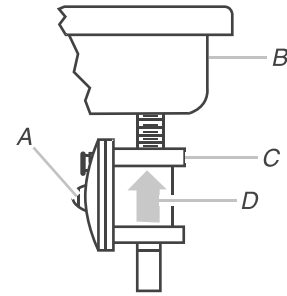
**No appliance/obstructions below cooktop**

**Suggested installation to avoid interference below cooktop**



- A. Manifold entrance
- B. Gas pressure regulator
- C. Use pipe-joint compound.
- D. Adapter (must have  $\frac{1}{2}$ " male pipe thread)
- E. Flexible connector
- F. Adapter
- G. Use pipe-joint compound.
- H. Manual gas shutoff valve
- I.  $\frac{1}{2}$ " or  $\frac{3}{4}$ " gas pipe

- A. Manifold entrance
- B.  $\frac{3}{8}$ " elbow
- C. Use pipe-joint compound.
- D. Adapter (must have  $\frac{3}{8}$ " male pipe thread)
- E. Flexible connector (pass through wall between cabinets)
- F. Adapter (must have  $\frac{3}{8}$ " male pipe thread)
- G. Use pipe-joint compound.
- H. Appliance pressure regulator (supplied)
- I.  $\frac{1}{2}$ " or  $\frac{3}{4}$ " gas pipe
- J. Manual gas shutoff valve
- K.  $\frac{1}{2}$ " or  $\frac{3}{4}$ " gas pipe



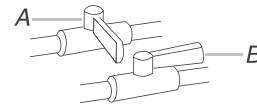
- A. Access cap
- B. Rear of cooktop
- C. Gas pressure regulator
- D. Up arrow. The regulator must be installed with the arrow pointing toward the cooktop bottom.

Use only pipe-joint compound made for use with Natural and LP gas.

Do not use TEFLON® tape. You will need to determine the fittings required depending on your installation.

**Complete Connection**

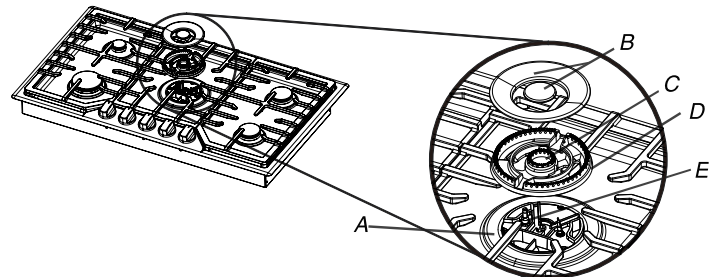
- Open the manual shutoff valve in the gas supply line. The valve is open when the handle is parallel to the gas pipe.



- A. Closed valve
- B. Open valve

- Test all connections by brushing on an approved noncorrosive leak-detection solution. Bubbles will show a leak. Correct any leak found.
- Remove surface burner caps, burner base and grates from parts package. Align notches in burner caps with pins in burner base.

Align orifice holder in burner base with igniter electrode. Burner caps should be level when properly positioned. If burner caps are not properly positioned, surface burners will not light. Place burner grates over burners and caps.



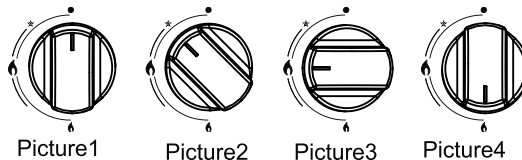
- B. Burner cap
- C. Gas tube opening
- D. Burner base
- E. Igniter electrode

## Complete Installation

### Electronic Ignition System

The following symbols will appear on the control panel next to each control knob :

- :Gas Off
- \* :Ignition position
- 🔥 :Maximum Setting
- ⬇️ :Minimum Setting



### **WARNING**

That top burner flame size should be adjusted so it does not extend beyond the edge of the cooking utensil. This instruction is based on safety considerations.

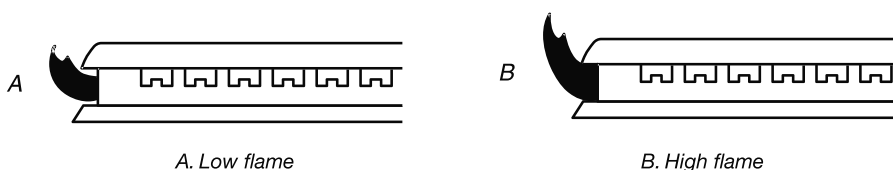
- ◆ The minimum setting is at the end of the anti clockwise rotation of the control knob.
- ◆ All operation positions must be selected between the maximum and minimum position.
- ◆ Never select a knob position between the maximum and off position.
- ◆ The symbol on the control panel next to the control knob will indicate which gas burner it operates. Automatic ignition with flame failure safety device the appliance is fitted with a flame failure safety device on each burner, which is designed to stop the flow of gas to the burner head in the event of the flame going out.

### To ignite a burner

- ◆ Check if the burner copper cap copper core or other parts are positioned correctly and confirm the knob button(Picture 1) position then turn on the gas valve.
- ◆ If you keep the control knob depressed the automatic ignition for the burner will operate.
- ◆ Ignition: Press the control button then contrarotate 90 degree accordingly, it's Large flame. You should hold down the control knob for 15 seconds after the flame on the burner has lit. If after 15s the burner has not lit, stop operating the device and open the compartment door and wait at least 1 min before attempting a further ignition of the burner.
- ◆ After this 15 second interval to regulate the flame you should continue turning the control knob anti clockwise until the flame is at a suitable level .The operating position must be at a position between the maximum position (Picture 3)and minimum position(Picture 4).
- ◆ To switch the burner off turn the control knob fully clockwise to the gas off position.
- ◆ In case of power failure the burners can be lit by carefully using a match.
- ◆ Extinguish: the burner will be extinguished when the knob turn to(Picture1) the position.
- ◆ The use method of hob at low temperature is the same as in normal temperature.

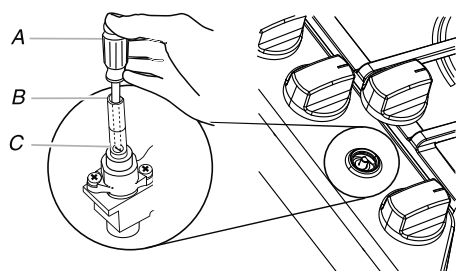
### Check Flame Height

Adjust the height of surface burner flames. The surface burner “low” flame should be a steady blue flame approximately ¼" (6.4 mm) high.



### Adjustment for Single Valve:

1. Set the burner flame to LO.
2. Remove the control knob.
3. Hold knob stem with a pair of pliers. Use a 3/32" (#0 [2 mm]) flat-blade screwdriver to turn the screw located within the shaft of the control knob stem until the flame is the proper size. Turn adjustment screw “C” to the right to reduce flame height, turn adjustment screw to the left to increase flame height.



- A. 3/32" (#0 [2.0 mm]) flat-blade screwdriver (screwdriver shaft must be a minimum of 2" [5.1 cm] long)
- B. Control knob stem opening
- C. Adjustment screw location

4. Replace the control knob.
5. Test the flame by turning the control from LO to HI, checking the flame at each setting

**IMPORTANT:** Dual valve adjustments must be performed by a qualified installer or service agency.



## Clean And Maintenance

### Cleaning



CLEANING OPERATIONS MUST ONLY BE CARRIED OUT WHEN THE HOB IS COOL. THE APPLIANCE SHOULD BE DISCONNECTED FROM YOUR MAINS SUPPLY BEFORE COMMENCING ANY CLEANING PROCESS.

- ◆ Cleaning of the hob should be carried out on a regular basis, and suggest take a full check every 12 months.
- ◆ Keeping appliance area clear and free from combustible materials, gasoline, and other flammable vapors and liquids.
- ◆ Not obstructing the flow of combustion and ventilation air.
- ◆ You should not use a steam jet or any other high pressure cleaning equipment to clean the appliance.

### After each use

- ◆ Remove the pan stands and wipe the appliance over with a soft, damp cloth that has been put into warm soapy water. The cloth should be wrung out after being taken out of the soapy water.
- ◆ Dry the appliance by rubbing the surface with a soft, clean cloth.
- ◆ We would recommend that an appropriate stainless steel cleaner and polish is regularly used on the stainless steel surfaces of this appliance.

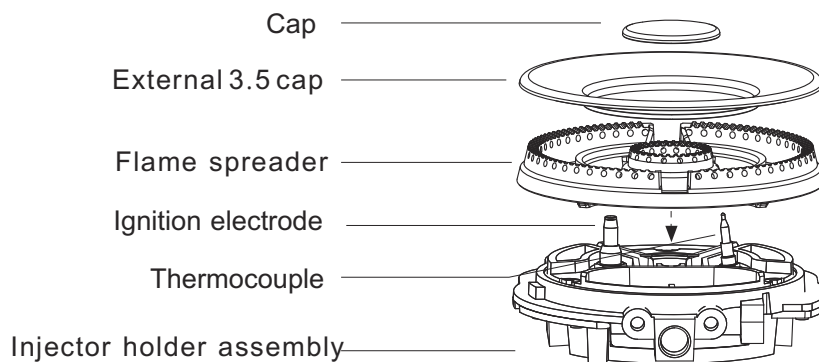
### Cleaning the hob top

- ◆ Any residues that are left on the hob top surface from cleaning agents will damage it. you should remove any residues with warm soapy water
- ◆ Abrasive cleaners or sharp objects will damage the hob surface you should clean it using warm soapy water.
- ◆ Although it is easier to clean some deposits whilst the hob surface is still warm, make sure that the hob surface, pan supports and hob burners have all cooled sufficiently before you attempt to touch them

### Cleaning the hob burners

- ◆ The hob burners should be cleaned once a week or more frequently if they get soiled.
- ◆ Remove the hob burners by pulling them upwards and away from the hob top.
- ◆ Soak them for about ten minutes in hot water and a little detergent.
- ◆ After cleaning and washing them wipe and dry them carefully.
- ◆ Before placing the burners back on the hob top make sure that the gas jet is not blocked.
- ◆ **IMPORTANT:** Make sure that you reassemble the burners in the original way.

Visually checking pilots and burner flame, refer to aforesaid “Check Flameheight”.



(The figure is provided for reference only and subject to the actual product.)

## SÉCURITÉ DE LA TABLE DE CUISSON

### Votre sécurité et celle des autres est très importante.

Nous donnons de nombreux messages de sécurité importants dans ce manuel et sur votre appareil ménager. Assurez-vous de toujours lire tous les messages de sécurité et de vous y conformer.



Voici le symbole d'alerte de sécurité.

Ce symbole d'alerte de sécurité vous signale les dangers potentiels de décès et de blessures graves à vous et à d'autres.

Tous les messages de sécurité suivront le symbole d'alerte de sécurité et le mot "DANGER" ou "AVERTISSEMENT". Ces mots signifient :

**⚠ DANGER**

Risque possible de décès ou de blessure grave si vous ne suivez pas immédiatement les instructions.

**⚠ AVERTISSEMENT**

Risque possible de décès ou de blessure grave si vous ne suivez pas les instructions.

Tous les messages de sécurité vous diront quel est le danger potentiel et vous disent comment réduire le risque de blessure et ce qui peut se produire en cas de non-respect des instructions.

**AVERTISSEMENT : Si les renseignements dans ce manuel ne sont pas exactement observés, un incendie ou une explosion peut survenir, causant des dommages au produit, des blessures ou un décès.**

- Ne pas entreposer ni utiliser de l'essence ou d'autres vapeurs ou liquides inflammables à proximité de cet appareil ou de tout autre appareil électroménager.
- QUE FAIRE DANS LE CAS D'UNE ODEUR DE GAZ :
  - Ne pas tenter d'allumer un appareil.
  - Ne pas toucher à un commutateur électrique.
  - Ne pas utiliser le téléphone se trouvant sur les lieux.
  - Appeler immédiatement le fournisseur de gaz à partir du téléphone d'un voisin. Suivre ses instructions.
  - À défaut de joindre votre fournisseur de gaz, appeler les pompiers.
- L'installation et l'entretien doivent être effectués par un installateur qualifié, une agence de service ou le fournisseur de gaz.

**AVERTISSEMENT :** L'odorat ne permet pas toujours la détection d'une fuite de gaz.

Les distributeurs de gaz recommandent l'emploi d'un détecteur de gaz (homologation UL ou CSA).

Pour d'autre information, contacter le fournisseur de gaz local.

En cas de détection d'une fuite de gaz, exécuter les instructions "Que faire dans le cas d'une odeur de gaz".

**IMPORTANT :** Ne pas installer un système de ventilation avec évacuation de l'air vers le bas, qui évacuerait l'air vers cet appareil de cuisson à gaz. Ce type de système de ventilation peut causer des problèmes d'allumage et de combustion avec cet appareil de cuisson à gaz et entraîner des blessures corporelles ou le fonctionnement non désiré de cet appareil.

Dans l'État du Massachusetts, les instructions d'installation suivantes sont applicables :

- Les travaux d'installation et réparation doivent être exécutés par un plombier ou tuyauteur qualifié ou licencié, ou par le personnel qualifié d'une entreprise licenciée par l'État du Massachusetts.
- Si une vanne à boisseau sphérique est utilisée, elle doit comporter une manette "T".
- Si un conduit de raccordement flexible est utilisé, sa longueur ne doit pas dépasser 3 pi.

## EXIGENCES D'INSTALLATION

### Outillage et pièces

Rassembler les outils et pièces nécessaires avant de commencer l'installation.

#### Outillage nécessaire

- Mètre-ruban
- Tournevis à lame plate
- Tournevis Phillips
- Clé mixte de 15/16"
- Clé à tuyauteries
- Clé ou pince
- Marqueur ou crayon
- Composé d'étanchéité pour tuyauteries - résistant au propane
- Solution non corrosive de détection des fuites

#### Pièces fournies

- Détendeur
- Grilles de brûleur
- Chapeaux de brûleur
- Base des brûleurs
- Brides de serrage (2)
- Vis de fixation de bride (2)

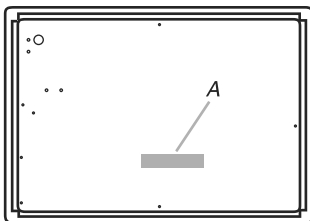
#### Pièces nécessaires

Vérifier les codes locaux et consulter le fournisseur de gaz. Vérifier l'alimentation en gaz et l'alimentation électrique existantes. Voir les sections "Spécifications électriques" et "Spécifications de l'alimentation en gaz".

### Exigences d'emplacement

**IMPORTANT** : Observer les dispositions de tous les codes et règlements en vigueur. Ne pas obstruer le flux de combustion et de ventilation.

- C'est à l'installateur qu'incombe la responsabilité de respecter les distances de séparation spécifiées sur la plaque signalétique. La plaque signalétique se trouve sur le dessous de la base de la table de cuisson.



A. Plaque signalétique

- Afin de supprimer le risque de brûlures ou d'incendie lié au fait de se pencher au-dessus des plaques de cuisson chaudes, les placards de rangement au-dessus des plaques doivent être évités. Si des placards de rangement sont envisagés, le risque peut être réduit par l'installation d'une hotte de cuisinière dépassant le bas des placards d'au moins 5" (12,7 cm) horizontalement.

- La table de cuisson doit être une table de cuisson spécifiée, et doit être approuvée pour une installation seule ou sur un four encastré sous comptoir. Vérifier que la base de la table de cuisson comporte une étiquette d'installation approuvée pour le numéro de modèle de votre table de cuisson et les combinaisons approuvées de tables de cuisson et de fours qui peuvent être installés. Si vous ne trouvez pas cette étiquette, il se peut que votre table de cuisson ne soit pas approuvée pour une utilisation au-dessus d'un four encastré sous comptoir. Contacter le marchand pour confirmer que votre table de cuisson est bien approuvée.
- Les fours approuvés pour ce type d'installation comportent une étiquette d'approbation située sur le dessus du four. Si vous ne trouvez pas cette étiquette, contactez votre marchand pour confirmer que le four est bien approuvé. Consulter les Instructions d'installation du fabricant du four pour obtenir l'approbation de l'utilisation en encastrement et les dimensions correctes.
- La table de cuisson doit être installée dans un emplacement à l'écart des zones de forts courants d'air, telles que fenêtres, portes et événements ou ventilateurs de chauffage.
- Toutes les ouvertures dans le mur ou le plancher de l'emplacement d'installation de la table de cuisson doivent être scellées.
- Respecter les dimensions indiquées pour les ouvertures à découper dans les meubles. Ces dimensions constituent les valeurs minimales des dégagements.
- Une source d'électricité avec liaison à la terre est nécessaire. Voir la section "Spécifications électriques". Un raccordement adéquat à l'alimentation en gaz doit être disponible. Voir la section "Spécifications de l'alimentation en gaz".
- De par sa conception, la table de cuisson est retenue sur le plan de travail par ses rebords latéraux ou arrière.
- Veiller à placer les sources de gaz et d'électricité selon les indications de la section "Dimensions du placard" pour qu'elles soient accessibles sans avoir à retirer la table de cuisson.
- Prévoir une ouverture dans l'angle supérieur droit de l'enceinte – voir l'illustration – pour le passage de la canalisation de gaz et du câble d'alimentation électrique et pour que l'étiquette signalétique soit visible.

**IMPORTANT** : Pour éviter tout dommage, consulter le constructeur de la maison ou le fabricant de placards pour déterminer si les matériaux utilisés peuvent subir un changement de couleur, une déstratification ou autres dommages.

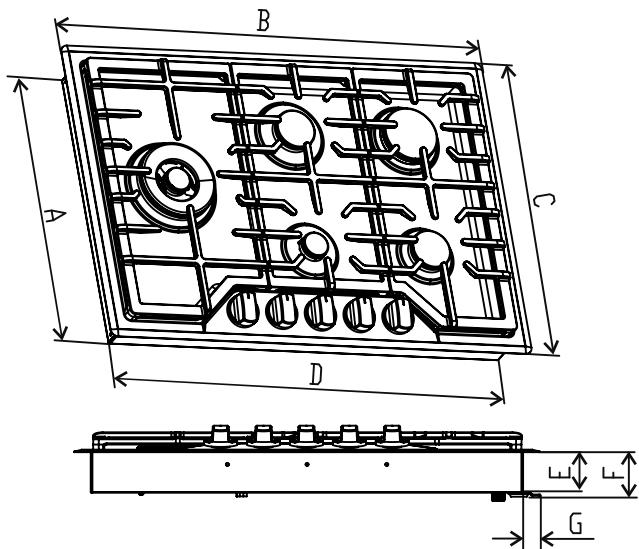
**Résidence mobile – Spécifications additionnelles à respecter lors de l’installation**

L’installation de cette table de cuisson doit être conforme aux dispositions de la norme Manufactured Home Construction and Safety Standard, Titre 24 CFR, partie 3280 (anciennement Federal Standard for Mobile Home Construction and Safety, Titre 24, HUD partie 280). Lorsque cette norme n’est pas applicable, l’installation doit satisfaire aux critères de la norme Standard for Manufactured Home Installations, ANSI A225.1/NFPA 501A ou aux dispositions des codes locaux.

Au Canada, l’installation de cette table de cuisson doit satisfaire aux stipulations de la version la plus récente de la norme CAN/CSA-A240 ou des codes locaux en vigueur.

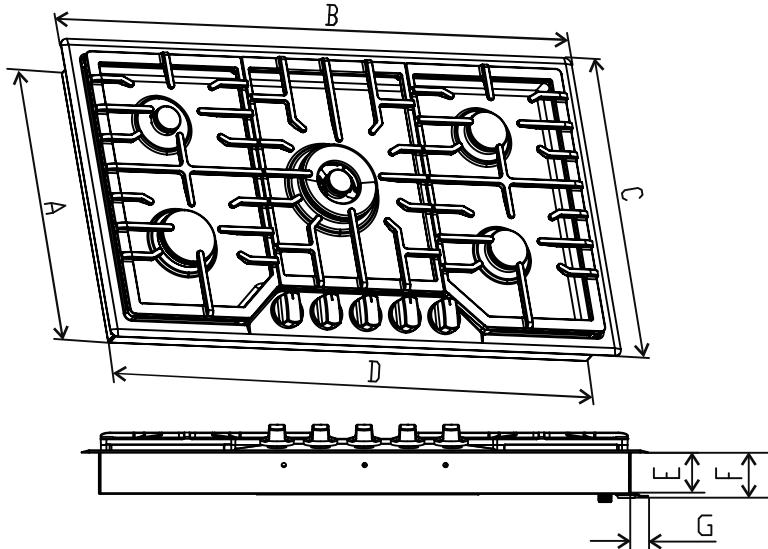
**Dimensions du produit**

**Modèles JZ(Y/T)-G513/7G7H50**



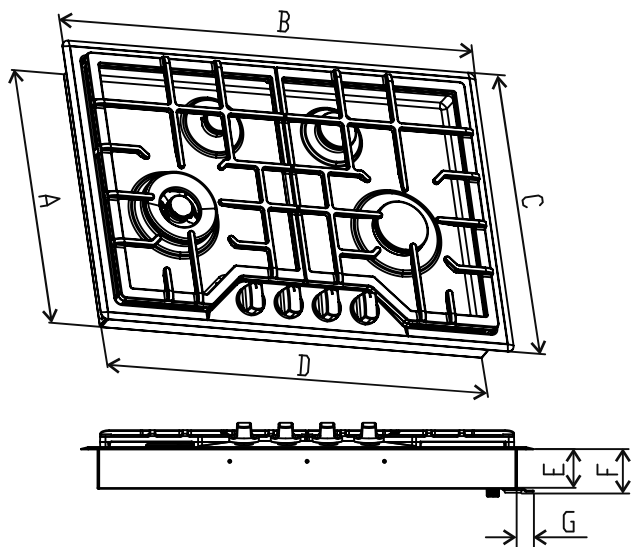
- A. 19"(48,3cm)
- B. 30"(76,0cm)
- C. 21"(53,0cm)
- D. 28"(71,1cm)
- E. 2<sup>3</sup>/<sub>5</sub>"(6.6cm)
- F. 2<sup>7</sup>/<sub>8</sub>"(7.3cm)
- G. 1<sup>1</sup>/<sub>10</sub>"(2.8cm)

**Modèles JZ(Y/T)-G515/7G9H50**

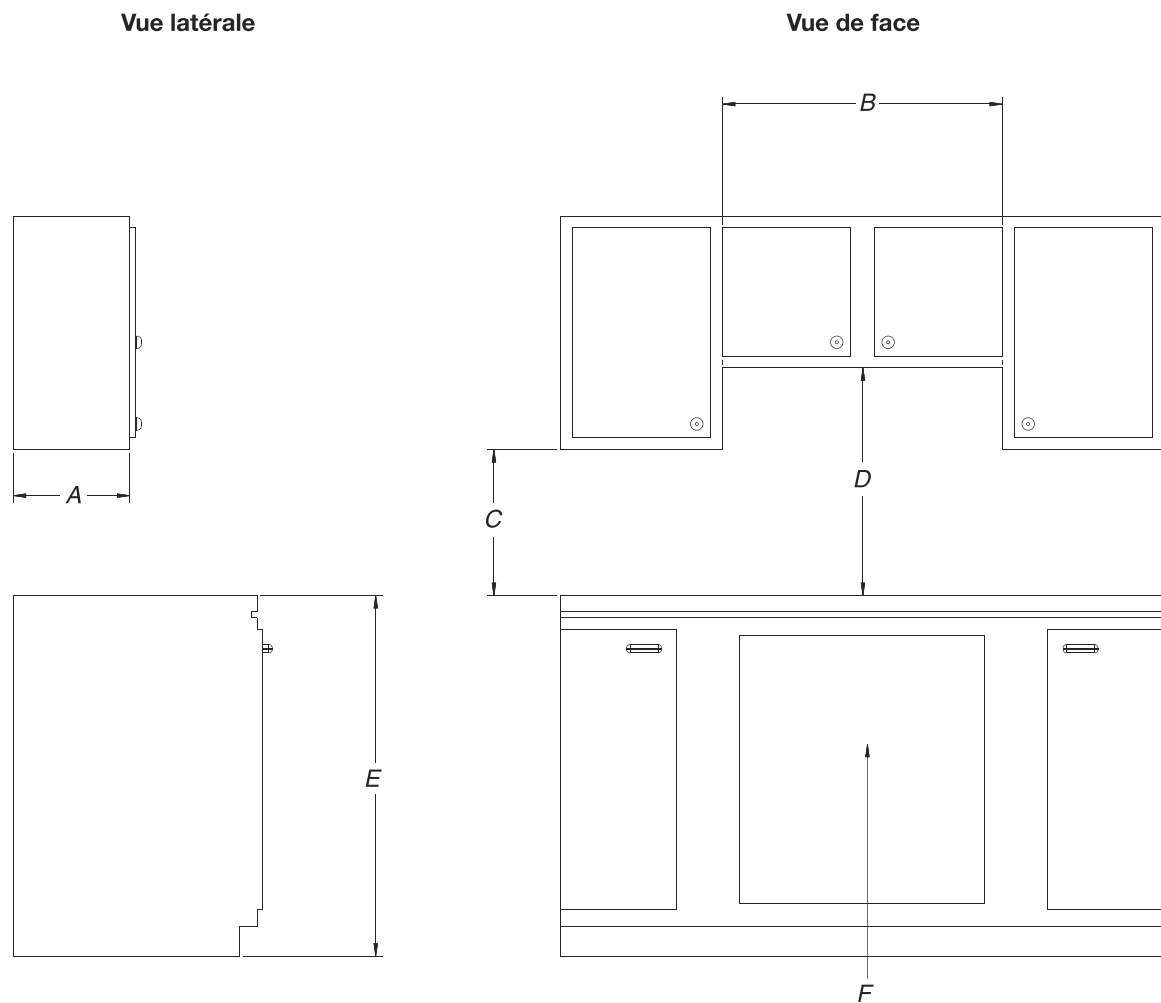


- A. 19"(48,3cm)
- B. 36"(91,0cm)
- C. 21"(53,0cm)
- D. 34"(86,4cm)
- E. 2<sup>3</sup>/<sub>5</sub>"(6.6cm)
- F. 2<sup>7</sup>/<sub>8</sub>"(7.3cm)
- G. 1<sup>1</sup>/<sub>10</sub>"(2.8cm)

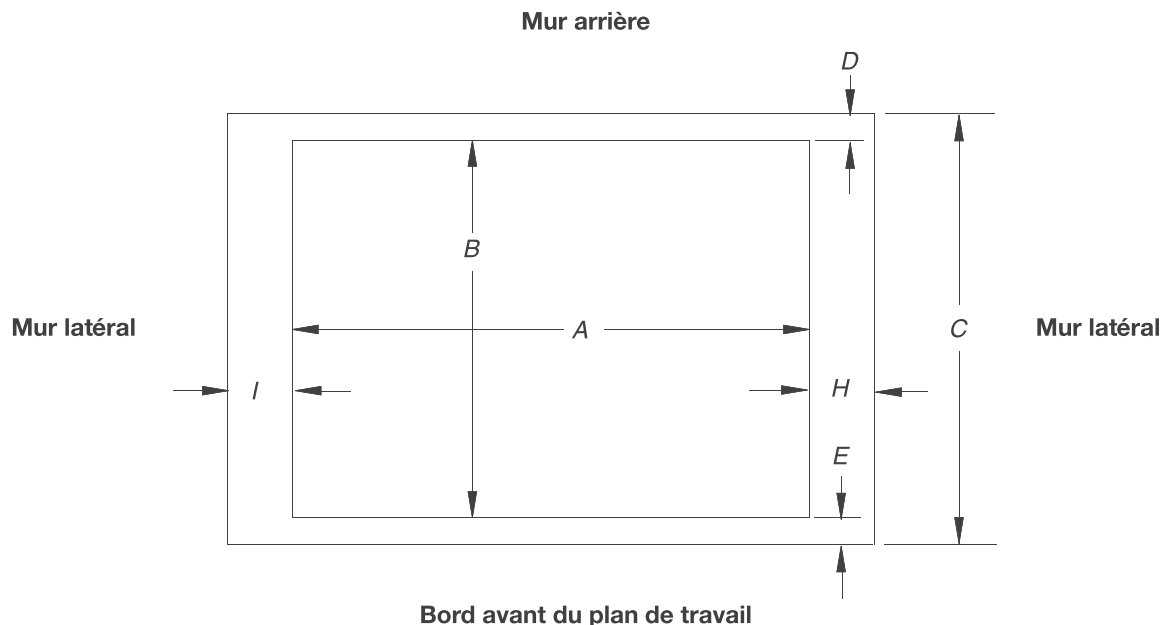
**Modèles JZ(Y/T)-G413**



- A. 19"(48,3cm)
- B. 30"(76,0cm)
- C. 21"(53,0cm)
- D. 28"(71,1cm)
- E. 2<sup>3</sup>/<sub>5</sub>"(6.6cm)
- F. 2<sup>7</sup>/<sub>8</sub>"(7.3cm)
- G. 1<sup>1</sup>/<sub>10</sub>"(2.8cm)

**Distances de dégagement à respecter**


- A. Profondeur recommandée des placards supérieurs de 13" (33 cm)
- B. 30" (76,2 cm) pour les modèles de 30"; 36" (91,4 cm) pour les modèles de 36".
- C. Distance de séparation minimale de 18" (45,7 cm) entre le placard supérieur et le plan de travail avec distance minimale de séparation horizontale pour la table de cuisson
- D. Dégagement minimum de 30" (76,2 cm) entre le sommet de la plateforme de la table de cuisson et le fond du placard de bois ou de métal non protégé.  
 Dégagement minimum de 24" [61 cm] lorsque le fond du placard de bois ou de métal est couvert d'une plaque ignifugée d'au moins 1/4" [0,6 cm] recouverte d'une tôle d'acier de 28 MSG, d'acier inoxydable de 0,015" [0,04 cm], d'aluminium de 0,024" [0,06 cm], ou de cuivre de 0,020" [0,05 cm] d'épaisseur au minimum.
- E. 36" (91,4 cm) entre le sommet du plan de travail et le plancher.
- F. Ouverture pour canalisation de gaz – mur : n'importe où, à 5" (12,7 cm) au-dessous de la face inférieure du plan de travail. Plancher du placard : n'importe où, à moins de 6" (15,2 cm) du mur arrière (recommandation).

**Dimensions de l'ouverture à découper - Vue de dessus**

**Dimensions des ouvertures à découper (ouverture du produit)**
**Modèles de 30" (76,0 cm)**

Modèles	A			B		
	Min	Recommandé	Max	Min	Recommandé	Max
JZ(Y/T)-G513 JZ(Y/T)-G413 JZ(Y/T)-7G7H50	28" (71,1cm)	28 <sup>2</sup> / <sub>5</sub> "(72,2cm)	28 <sup>4</sup> / <sub>5</sub> "(73,2cm)	19 <sup>1</sup> / <sub>10</sub> "(48,5cm)	19 <sup>1</sup> / <sub>3</sub> "(49,1cm)	19 <sup>4</sup> / <sub>5</sub> "(50,3cm)
<b>Modèles de 36" (91,0 cm)</b>						
JZ(Y/T)-G515 JZ(Y/T)-7G9H50	34" (86,5cm)	34 <sup>2</sup> / <sub>5</sub> "(87,5cm)	34 <sup>4</sup> / <sub>5</sub> "(88,5cm)	19 1/10"(48,5cm)	19 <sup>1</sup> / <sub>3</sub> "(49,1cm)	19 <sup>4</sup> / <sub>5</sub> "(50,3cm)

**Murs latéraux (surfaces combustibles)**

Modèles	H et I
JZ(Y/T)-G513 JZ(Y/T)-G413 JZ(Y/T)-G515 JZ(Y/T)-7G7H50 JZ(Y/T)-7G9H50	La longueur totale de H et I doit être de 48"(122,0cm) minimum, et chaque côté pris à part doit être d'au moins 10"(25,4cm).

**Dimensions du mur arrière et de l'avant du plan de travail**

Modèles	C	D	E
JZ(Y/T)-G513 JZ(Y/T)-G413 JZ(Y/T)-G515 JZ(Y/T)-7G7H50 JZ(Y/T)-7G9H50	29" (73,6cm)	5 <sup>1</sup> / <sub>3</sub> "(15,3cm)	4" (10,2cm)

**REMARQUES :** Après le découpage de l'ouverture dans le plan de travail, il est possible que pour certaines configurations d'installation, il soit nécessaire d'entailler les parois latérales du placard inférieur pour permettre le passage de la base de la table de cuisson. Pour éviter cette modification, utiliser un placard inférieur dont la largeur entre parois latérales est supérieure à celle de l'ouverture découpée.

Si le placard comporte un tiroir, on devra ménager un dégagement de 4" (10,2 cm) ou plus entre le plan de travail et le dessus du tiroir (ou autre obstacle) dans le placard inférieur. Il pourra être nécessaire de réduire la profondeur du tiroir pour éviter qu'il ne touche le détenteur.

**IMPORTANT :** Si l'on doit installer un four mural encastré en-dessous de cette table de cuisson, la prise reliée à la terre et la canalisation d'alimentation au gaz doivent être situées dans un placard adjacent.

Cette table de cuisson ainsi que son circuit électrique et son alimentation en gaz doivent être installés avant l'installation du four mural encastré sous le plan de travail.

## Spécifications électriques

### **⚠ AVERTISSEMENT**



#### Risque de choc électrique

- Brancher sur une prise à 3 alvéoles reliée à la terre.
- Ne pas enlever la broche de liaison à la terre.
- Ne pas utiliser un adaptateur.
- Ne pas utiliser un câble de rallonge.
- Le non-respect de ces instructions peut causer un décès, un incendie ou un choc électrique.

### **⚠ AVERTISSEMENT**

#### Mise à la terre

Cet appareil est pourvu d'une fiche à trois broches don't une mise à la terre assurant une protection contre les chocs électriques. La prise dans laquelle elle est branchée doit être correctement mise à la terre. Ne pas couper ni enlever la broche de mise à la terre de la fiche.

**IMPORTANT** : La table de cuisson doit être correctement reliée à la terre en conformité avec les codes et règlements locaux en vigueur, ou en l'absence de tels codes, avec le National Electrical Code, ANSI/NFPA 70 ou le Code canadien des installations électriques, CSA C22.1-02.

Si les codes le permettent et si on utilise un conducteur distinct de liaison à la terre, il est recommandé qu'un électricien qualifié vérifie la qualité de la liaison à la terre.

Pour obtenir un exemplaire de la norme des codes ci-dessus, contacter :

National Fire Protection Association  
1 Batterymarch Park  
Quincy, MA 02169-7471  
CSA International  
8501 East Pleasant Valley Road  
Cleveland, OH 44131-5575

- L'appareil doit être alimenté par un circuit de 120 V, CA seulement, 60 Hz, 15 ampères, protégé par fusible. On recommande également d'utiliser un fusible ou un disjoncteur temporisé. Il est recommandé de raccorder la table de cuisson sur un circuit distinct exclusif à cet appareil.
- Les systèmes d'allumage électronique fonctionnent avec des limites de tension étendues, mais une liaison à la terre correcte et une polarité appropriée sont nécessaires. Vérifier que la prise fournit une alimentation de 120 V et qu'elle est correctement reliée à la terre.
- Les schémas de câblage sont fournis avec cette table de cuisson. Voir la section "Schémas de câblage" sur une feuille séparée. Les schémas de câblage se trouvent sur la partie inférieure de la base de la table de cuisson, du côté gauche.

## Spécifications de l'alimentation en gaz

### **⚠ AVERTISSEMENT**



#### Risque d'explosion

Utiliser une canalisation neuve d'arrivée de gaz approuvée par la CSA International.

Installer un robinet d'arrêt.

Bien serrer chaque organe de connexion de la canalisation de gaz.

En cas de connexion au gaz propane, demander à une personne qualifiée de s'assurer que la pression de gaz ne dépasse pas 36 cm (14 po) de la colonne d'eau.

Par personne qualifiée, on comprend :

- le personnel autorisé de chauffage,
- le personnel autorisé d'une compagnie de gaz, et
- le personnel d'entretien autorisé.

Le non-respect de ces instructions peut causer un décès, une explosion ou un incendie.

Observer les dispositions de tous les codes et règlements en vigueur.

**IMPORTANT** : L'installation doit satisfaire aux critères de tous les codes et règlements locaux. En l'absence de code local, l'installation doit satisfaire aux prescriptions de la plus récente édition du code national américain en vigueur : National Fuel Gas Code ANSI Z223.1 ou à la norme CAN/CGA B149.

### Type de gaz

#### Gaz naturel :

- Cette table de cuisson a été configurée à l'usine pour l'alimentation au gaz naturel. Pour la conversion pour l'alimentation au propane, voir les instructions "Conversion pour l'alimentation au propane" dans le sachet de documentation. La plaque signalétique située sur la face inférieure de la base de la table de cuisson indique les types de gaz utilisables. Si le type de gaz disponible n'est pas mentionné sur la plaque signalétique, consulter le fournisseur de gaz local.

#### Conversion pour l'alimentation au propane :

L'opération de conversion doit être exécutée par un technicien de réparation qualifié.

Ne pas entreprendre de convertir la table de cuisson pour l'utilisation d'un gaz différent de celui indiqué sur la plaque signalétique sans d'abord consulter le fournisseur de gaz. Voir les instructions de conversion de gaz fournies dans le sachet de documentation.

#### AVERTISSEMENT

**Ne JAMAIS utiliser cet appareil électroménager en guise de chaufferette. Le fait de chauffer une pièce ainsi peut entraîner un empoisonnement au monoxyde de carbone ou une surchauffe du four.**

## Canalisation de gaz

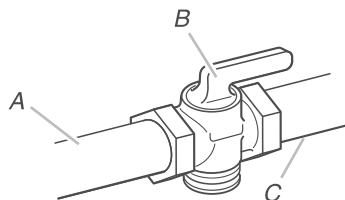
- Installer une canalisation de gaz rigide de 3/4" (1,9 cm) jusqu'à l'emplacement d'installation de la table de cuisson. L'emploi d'une canalisation de plus petit diamètre sur un circuit plus long peut causer une déficience du débit d'alimentation. On doit utiliser un composé d'étanchéité des tuyauteries résistant à l'action du gaz propane. Ne pas utiliser de ruban TEFLON®. Pour l'alimentation au propane, le diamètre du tuyau ou conduit doit être de 1/2" ou plus. Usuellement, le fournisseur de gaz propane détermine les matériaux à utiliser et le diamètre approprié.

### Raccord métallique flexible :

- Si les codes locaux le permettent, utiliser un connecteur à gaz flexible en acier inoxydable de 1/2" ou 3/4" de diamètre interne, conçu par CSA pour raccorder la table de cuisson à la canalisation rigide d'alimentation en gaz.



- Un raccord avec filetage mâle de 1/2" est nécessaire pour la connexion sur le raccord à filetage femelle à l'entrée du détendeur de la table de cuisson.
- Ne pas déformer, écraser ou endommager le tube métallique flexible lors d'un déplacement de la table de cuisson.
- Robinet d'arrêt nécessaire : La canalisation d'alimentation doit comporter un robinet d'arrêt manuel. Le robinet d'arrêt manuel doit être séparé de l'ouverture d'encastrement de la table de cuisson, mais doit se trouver dans la même pièce, comme par exemple un placard adjacent. Il doit se trouver en un endroit facilement accessible et qui ne nécessite pas le démontage de la table de cuisson pour les manœuvres d'ouverture/fermeture. Ne pas entraver l'accès au robinet d'arrêt manuel. Le robinet d'arrêt manuel est prévu pour ouvrir ou fermer l'alimentation en gaz de la table de cuisson.



A. Canalisation de gaz  
B. Robinet d'arrêt - position d'ouverture  
C. Vers la table de cuisson

L'essai d'étanchéité de l'appareil électroménager doit être effectué conformément aux directives du fabricant.

## Détendeur de gaz

Le détendeur fourni avec cette table de cuisson doit être utilisé. La pression d'alimentation du détendeur doit être comme suit pour un fonctionnement correct :

### Gaz naturel :

Pression minimum : 4" (9,9cm) (colonne d'eau)

Pression maximum : 7" à 14" (17,8 cm à 35,5 cm) (colonne d'eau)

### Gaz propane :

Pression minimum : 10" (25,4 cm) (colonne d'eau)

Pression maximum : 14" (35,5 cm) (colonne d'eau)

En cas d'incertitude quant à la pression d'alimentation à établir, contacter le fournisseur de gaz local.

## Caractéristiques d'alimentation du brûleur

Les débits thermiques indiqués sur la plaque signalétique correspondent à une altitude d'utilisation inférieure ou égale à 2000 pi (609,6 m).

Lorsque l'appareil est utilisé à une altitude supérieure à 2000 pi (609,6 m), on doit réduire le débit thermique indiqué de 4 % pour chaque tranche de 1000 pi (304,8 m) au-dessus du niveau de la mer (non applicable au Canada).

## Test de pressurisation de la canalisation de gaz

On doit tester le détendeur sous une pression supérieure d'au moins 1" (colonne d'eau) à la pression de la tubulure de distribution indiquée sur la plaque signalétique.

### Pressurisation à une pression supérieure à 1/2 lb/po<sup>2</sup> (14" - colonne d'eau)

Lors de tout test de pressurisation de ce système à une pression supérieure à 1/2 lb/po<sup>2</sup> (3,5 kPa), on doit déconnecter la table de cuisson et son robinet d'arrêt individuel de la canalisation de gaz.

### Pressurisation à une pression inférieure ou égale à 1/2 lb/po<sup>2</sup> (14" - colonne d'eau)

Lors de tout test de pressurisation de la canalisation de gaz à une pression égale ou inférieure à 1/2 lb/po<sup>2</sup> (3,5 kPa), on doit isoler la table de cuisson de la canalisation de gaz en fermant son robinet d'arrêt manuel individuel.

Le modèle de produit JZ(Y/T)-G513 JZ(Y/T)- G515 correspond au numéro de pièce 880.

Le modèle de produit JZ(Y/T)-G413 correspond au numéro de pièce 881.

Le modèle de produit JZ(Y/T)-7G7H50 correspond au numéro de pièce 882.

Le modèle de produit JZ(Y/T)-7G9H50 correspond au numéro de pièce 883.

Veuillez suivre les instructions de conversion. Les coordonnées du vendeur sont les suivantes.

Conserver les orifices retirés de l'appareil en vue d'une utilisation ultérieure.



# INSTRUCTIONS D'INSTALLATION

## Installation de la table de cuisson

### ⚠ AVERTISSEMENT

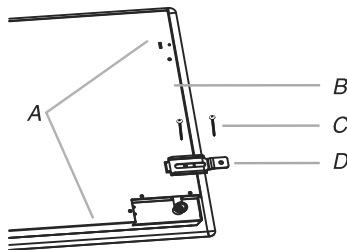
#### Risque du poids excessif

Utiliser deux ou plus de personnes pour déplacer et installer la table de cuisson.

Le non-respect de cette instruction peut causer une blessure au dos ou d'autre blessure.

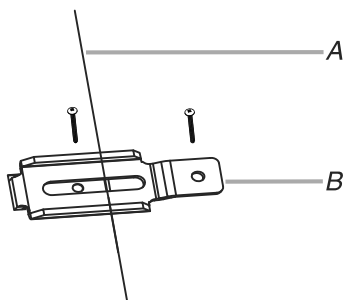
Déterminer l'emplacement final de la table de cuisson. Éviter de percer dans le câblage existant ou de l'endommager pendant l'installation.

1. Déterminer si l'installation des placards permet le dégagement nécessaire pour l'installation de brides de fixation aux extrémités de la base de la table de cuisson. Il s'agit de l'emplacement recommandé. Des brides de fixation peuvent être installées à l'avant et à l'arrière de la partie inférieure de la base de la table de cuisson, si nécessaire.



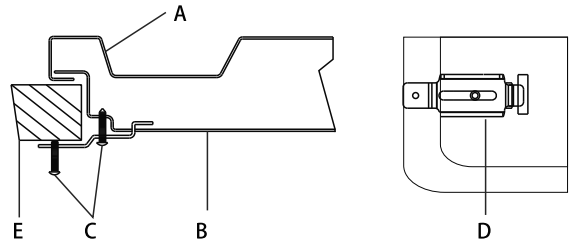
- A. Trous de vis d'attache pour emplacement facultatif à l'avant et à l'arrière
- B. Fond de la base de la table de cuisson
- C. Vis d'attache
- D. Brides de fixation (emplacements aux extrémités recommandés)

2. À l'aide d'au moins 2 personnes, placer la table de cuisson dans l'ouverture en orientant la bonne surface vers le haut.  
**REMARQUE :** S'assurer que le bord avant de la table de cuisson est parallèle au bord avant du plan de travail. S'il est nécessaire de repositionner la table de cuisson, la soulever entièrement de l'ouverture pour éviter de rayer le plan de travail.
3. Enlever les vis d'attache pour les emplacements de brides sélectionnés de la partie inférieure de la base de la table de cuisson.



- A. Partie inférieure de la base du bord de la table de cuisson
- B. Brides de fixation

4. Fixer les brides sur le fond de la base de la table de cuisson à l'aide des vis de fixation des brides. Bien serrer les vis.



- A. Table de cuisson
- B. Base de la table de cuisson
- C. Vis d'attache de la bride de 2" (5,1 cm)
- D. Brides de fixation (dépassant suffisamment de la base de la table de cuisson pour permettre l'installation des vis de fixation)
- E. Plan de travail

## Raccordement au gaz

### ⚠ AVERTISSEMENT



#### Risque d'explosion

Utiliser une canalisation neuve d'arrivée de gaz approuvée par la CSA International.

Installer un robinet d'arrêt.

Bien serrer chaque organe de connexion de la canalisation de gaz.

En cas de connexion au gaz propane, demander à une personne qualifiée de s'assurer que la pression de gaz ne dépasse pas 36 cm (14 po) de la colonne d'eau.

Par personne qualifiée, on comprend :

- le personnel autorisé de chauffage,
- le personnel autorisé d'une compagnie de gaz, et
- le personnel d'entretien autorisé.

Le non-respect de ces instructions peut causer un décès, une explosion ou un incendie.

#### Raccordement typique par raccord flexible

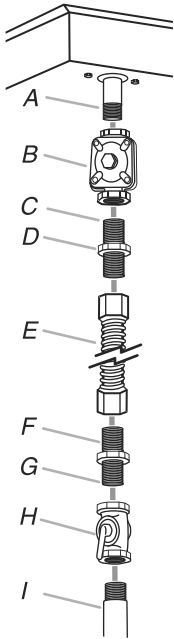
1. Appliquer un composé d'étanchéité pour tuyauteries conçu pour une utilisation avec du gaz naturel et du gaz propane sur l'extrémité filetée la plus petite des adaptateurs de raccord flexible (voir C et G dans l'illustration ci-dessous).
2. Fixer un adaptateur sur le détendeur et l'autre adaptateur sur le robinet d'arrêt de la canalisation de gaz. Serrer les deux adaptateurs.

3. Utiliser une clé mixte de 15/16" et une pince multiprise pour fixer le raccord flexible sur les raccords d'adaptation. S'assurer que le raccord n'est pas déformé.

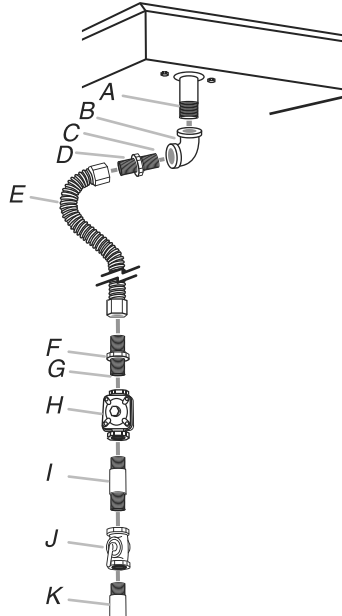
**IMPORTANT :** Tous les raccords doivent être bien serrés à l'aide d'une clé. Ne pas serrer excessivement la connexion sur le détendeur. Un serrage excessif pourrait provoquer une fissuration du détendeur et une fuite de gaz. Lors du serrage des raccords, empêcher le détendeur de tourner.

**Il ne doit pas y avoir d'appareil ou d'obstacle en-dessous de la table de cuisson**

**Configuration d'installation suggérée pour éviter tout blocage en-dessous de la table de cuisson**

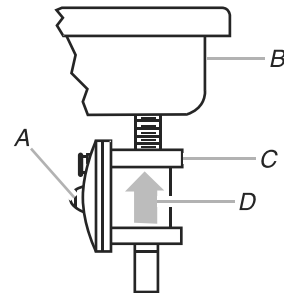


- A. Entrée de la tubulure de distribution
- B. Détendeur
- C. Utiliser un composé d'étanchéité pour tuyauteries.
- D. Adaptateur (doit comporter un filetage mâle de 1/2")
- E. Raccord flexible
- F. Adaptateur
- G. Utiliser un composé d'étanchéité pour tuyauteries.
- H. Robinet d'arrêt manuel
- I. Tuyauterie de gaz de 1/2" ou 3/4"



- A. Entrée de la tubulure de distribution
- B. Coude de 90°
- C. Utiliser un composé d'étanchéité pour tuyauteries.
- D. Adaptateur (doit comporter un filetage mâle de 3/8")
- E. Raccord flexible (doit être acheminé à travers la paroi séparant les placards)
- F. Adaptateur (doit comporter un filetage mâle de 3/8")
- G. Utiliser un composé d'étanchéité pour tuyauteries.
- H. Détendeur de l'appareil (fourni)
- I. Tuyauterie de gaz de 1/2" ou 3/4"
- J. Robinet d'arrêt manuel
- K. Tuyauterie de gaz de 1/2" ou 3/4"

4. Installer le régulateur avec la flèche orientée vers le fond de la base de la table de cuisson, et de manière à ce que le chapeau d'accès du détendeur soit accessible.

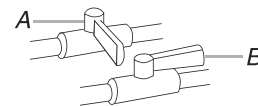


- A. Chapeau de l'ouverture d'accès
- B. Arrière de la table de cuisson
- C. Détendeur
- D. Flèche vers le haut. Le détendeur doit être réglé de sorte que sa flèche pointe vers le fond de la table de cuisson.

Utiliser uniquement un composé d'étanchéité des tuyauteries conçu pour l'utilisation avec le gaz naturel ou le propane. Ne pas utiliser de ruban TEFLON®. Il sera nécessaire de choisir les raccords à utiliser en fonction de la configuration d'installation.

**Achever le raccordement**

1. Ouvrir le robinet d'arrêt manuel sur la canalisation d'alimentation en gaz. Le robinet est ouvert lorsque la poignée est parallèle au conduit d'alimentation en gaz.

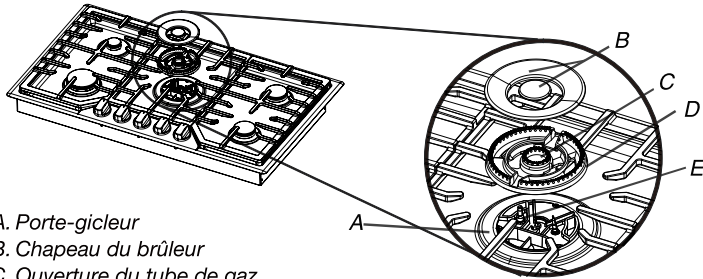


- A. Robinet fermé
- B. Robinet ouvert

2. Vérifier tous les raccordements en les badigeonnant d'une solution de détection des fuites non corrosive approuvée. L'apparition de bulles indique la présence d'une fuite. Réparer toute fuite éventuelle.

3. Ôter les chapeaux de brûleur de surface, la base des brûleurs et les grilles du sachet de pièces. Aligner les encoches des chapeaux de brûleur avec les broches dans la base de chaque brûleur.

Aligner le porte-gicleur de la base du brûleur avec l'électrode d'allumage. Un chapeau de brûleur correctement placé doit être horizontal. Si les chapeaux de brûleur ne sont pas correctement installés, les brûleurs de surface ne s'allumeront pas. Placer les grilles de brûleur sur les brûleurs et chapeaux.



A. Porte-gicleur  
B. Chapeau du brûleur  
C. Ouverture du tube de gaz  
D. Base du brûleur  
E. Électrode d'allumage

## ⚠ AVERTISSEMENT



### Risque de choc électrique

**Brancher sur une prise à 3 alvéoles reliée à la terre.**

**Ne pas enlever la broche de liaison à la terre.**

**Ne pas utiliser un adaptateur.**

**Ne pas utiliser un câble de rallonge.**

**Le non-respect de ces instructions peut causer un décès, un incendie ou un choc électrique.**

## Achever l'installation

### Système d'allumage électronique

Les symboles suivants apparaissent sur le panneau de commande, à côté de chaque manette de commande :

- : Gaz éteint
- ★ : Position d'allumage
- 🔥 : Réglage maximum
- 🔥 : Réglage minimum

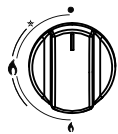


Figure 1

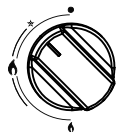


Figure 2

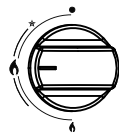


Figure 3

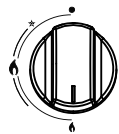


Figure 4

### ⚠ AVERTISSEMENT

La taille de la flamme du brûleur supérieur doit être réglée de manière à ne pas dépasser les bords du four. La présente note se fonde sur des considérations de sécurité

- ◆ Le réglage minimum est à la fin de la rotation antihoraire de la manette de commande.
- ◆ Toutes les positions d'opération doivent être sélectionnées entre les positions maximale et minimale.
- ◆ Ne sélectionnez jamais une position de manette entre la position maximum et la position off.
- ◆ Le symbole sur le panneau de commande à côté de la manette de commande indiquera quel brûleur à gaz il fonctionne. Allumage automatique avec dispositif de sécurité en cas de flamme l'appareil est équipé d'un dispositif de sécurité en cas de flamme sur chaque brûleur, conçu pour arrêter le flux de gaz vers la tête du brûleur en cas d'extinction de la flamme.

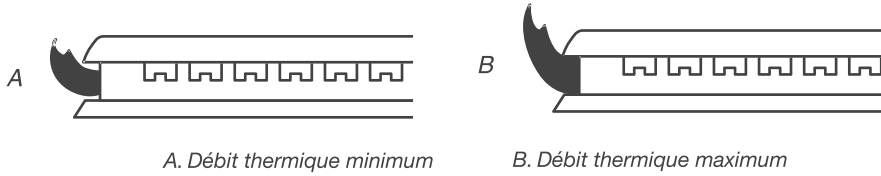
### Allumer un brûleur

- ◆ Vérifiez si le noyau en cuivre du capuchon en cuivre du brûleur ou les autres pièces sont correctement positionnés et vérifiez la position du bouton de commande (figure 1), puis ouvrez la vanne de gaz.
- ◆ Si vous maintenez la manette de commande enfoncée, l'allumage automatique du brûleur fonctionnera.
- ◆ Allumage: Appuyez sur la manette de commande puis réglez à 90 degrés en conséquence, il s'agit d'une grande flamme. Vous devez maintenir la manette de commande enfoncée pendant 15 secondes après l'allumage de la flamme du brûleur. Si, après 15 secondes, le brûleur ne s'est pas allumé, arrêtez d'utiliser l'appareil, ouvrez la porte du compartiment et attendez au moins 1 minute avant d'essayer d'allumer davantage le brûleur.
- ◆ Après ce délai de 15 secondes pour réguler la flamme, vous devez continuer à tourner la manette de commande dans le sens antihoraire jusqu'à ce que la flamme atteigne un niveau approprié. La position de fonctionnement doit être entre les positions maximum (Figure 3) et minimum (Figure 4).
- ◆ Pour éteindre le brûleur, tournez la manette de commande complètement en sens horaire jusqu'à la position d'arrêt du gaz.

- ◆ En cas de panne de courant, les brûleurs peuvent être allumés en utilisant soigneusement une allumette.
- ◆ Eteindre: le brûleur sera éteint quand la manette tournera à la position (Figure 1).
- ◆ La méthode d'utilisation de la table de cuisson à basse température est la même qu'en température normale.

**Contrôle de la taille des flammes**

Régler la taille des flammes sur les brûleurs de surface. Pour le réglage au débit thermique minimum du brûleur de surface, on doit observer une flamme bleue stable de 1/4" (6,4 mm).



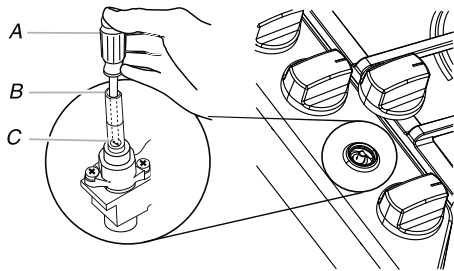
**Réglage d'un robinet de gaz unique :**

1. Régler la flamme du brûleur à "LO" (basse).
2. Ôter le bouton de commande.
3. Immobiliser la tige de commande avec une pince. Utiliser un tournevis à lame plate de 3/32" (n° 0 [2 mm]) pour faire tourner la vis située au centre de la tige du bouton de commande jusqu'à ce que la flamme atteigne la bonne taille.

Tourner la vis de réglage "C" vers la droite pour diminuer la hauteur de la flamme ou vers la gauche pour augmenter la hauteur de la flamme.

4. Réinstaller le bouton de commande.
5. Tester la flamme en tournant le bouton de commande pour le faire passer de la position "LO" (basse) à la position "HI" (élevée) et observer les flammes pour chaque réglage.

**IMPORTANT :** Le réglage de la double soupape doit être effectué par un installateur qualifié.



- A. Tournevis à lame plate de 3/32" (n° 0 [2 mm]) (la tige doit mesurer au moins 2" [5,1 cm] de long)
- B. Orifice de la tige du bouton de commande
- C. Emplacement de la vis de réglage

---

## 目录

---

<b>灶具安全事项</b> .....	<b>25</b>
<b>安装要求</b> .....	<b>26</b>
工具及零部件.....	26
位置要求.....	26
电气要求.....	30
燃气供应要求.....	30
<b>安装说明</b> .....	<b>32</b>
安装灶具.....	32
气体连接.....	32
整体安装.....	34

**重要:**

安装人员:请将安装说明书留给用户。

用户: 请妥善保存安装说明书, 以备将来参考。

## 安全注意事项

### 您与他人的安全是至关重要的。

此说明书及产品提供了许多安全信息，请务必阅读并遵循所有的安全信息。



这是安全警告标志。

这个符号提醒您潜在的危险，可能导致人身伤害或损伤。

应遵循安全警告标志“危险”或“警告”。

这些词义为：



如果您不能立即遵循使用说明，会导致人身伤害或损伤。



如果您未能遵循使用说明，会导致人身伤害或损伤。

所有的安全信息均会告知潜在的危险，如何减少受伤害的机率，以及如果未能遵循使用说明可能会产生的后果。

**警告：如果未能正确遵循说明书中的信息，可能火灾或爆炸会导致财产损失、人身伤害或死亡。**

- 切勿在本产品或其它器具邻近使用、存放汽油或其它可燃气体及液体。
- 如果您闻到燃气味怎么办
  - 不要试图点燃任何器具。
  - 不要触摸任何电器开关。
  - 不要在您的建筑物里使用任何电话。
  - 请立即让邻居致电燃气供应商，并遵循燃气供应商的指示。
  - 如果未能联系到您的燃气供应商，请致电消防部门。
- 安装及服务必须由合格的安装人员、服务机构或燃气供应商执行。

警告：燃气泄漏不能总是通过气味来探测。

燃气供应商建议您使用有UL或CSA认证的气体检测仪。

如需更多信息，请联系您的燃气供应商。

如果检测到气体泄露，请根据“如果您闻到燃气味怎么办”的说明操作。

**重要：**请不要安装对着燃气灶具吹风向下的通风系统。这种通风系统可能会引起点火或燃烧等问题，导致人身伤害或意外操作。

在马萨诸塞州，应用以下安装说明：

- 安装和维修必须由马萨诸塞州认可的合格的或有资质的承包商、管道工或燃气安装工执行。
- 如果使用球阀，则应使用T型扳手。
- 如果使用软气管接头，必须小于3英尺。

## 安装要求

### 工具及部件

请在开始安装之前收集所需的工具和部件：

#### 所需工具

- 卷尺
- 一字螺丝刀
- 十字螺丝刀
- $\frac{15}{16}$ " 英寸梅花扳手
- 管扳手
- 扳手、钳子
- 记号笔或铅笔
- 耐液化气体管接头粘合剂
- 无腐蚀性的气体探测器

#### 所提供的部件

- 稳压阀
- 炉架
- 炉头盖
- 炉头座
- 安装支架 (2)
- 支架连接螺钉 (2)

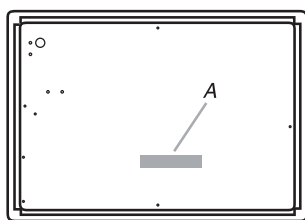
#### 所需部件

检查当地规则并咨询燃气供应商。检查现有的燃气供应和电力供应。见“电气要求”及“燃气供应要求”章节。

### 位置要求

重要：遵守所有的管理规则及条例。请勿堵塞燃烧气流及通风设备。

- 安装人员有责任遵守铭牌的安装距离要求。铭牌位于灶具底部下方。



A. 铭牌

- 为消除触及产品过热表面引起的燃烧及火灾的危险，产品表面上方应避免放置储物柜。如果需要安装储物柜，可以通过安装一个抽油烟机来降低风险，该抽油烟机水平地伸出柜体底部至少5英寸（12.7厘米）。

- 灶具必须有说明显示可独立安装或可安装于嵌入式烤箱上面。检查您的灶具底盘上的安装标贴的型号及确认是否可同时安装灶具及烤箱。如果未能找到该标贴，您的灶具可能不适合安装在嵌入式烤箱上，请联系您的经销商确认是否可以。

- 可用于这种安装方式的烤箱顶部应有一个认可标签。如果未能找到该标贴，请联系您的经销商确认是否可以。请参阅烤箱生厂商的安装说明，以确认是否可内嵌于台面下以及正确的开孔尺寸。

- 灶具应安装在远离强通风区域的地方，例如窗户、门和强散热孔或风扇。

- 所有安装灶具的墙壁或地面上的开口都必须密封。

- 请勿必按照所示尺寸来开孔。所示尺寸为最小间隙。

- 请勿必使用接地电源，参见“电气要求”章节。必须有正确的燃气供应连接，参见“燃气供应要求”章节。

- 灶具设计用于通过四周边缘支撑嵌入在台面上。

- 燃气和电力供应应位于“橱柜尺寸”章节所示的位置，以便在不需移动灶具的情况下就可以使用。

- 如图所示，在墙的右后角处开孔，为进气及电源线提供间隙，并且铭牌可见。

**重要：**为了避免产品损坏，请与您的生厂商或橱柜生厂商确保所使用的材料不会变色、脱皮或遭受其它损坏。

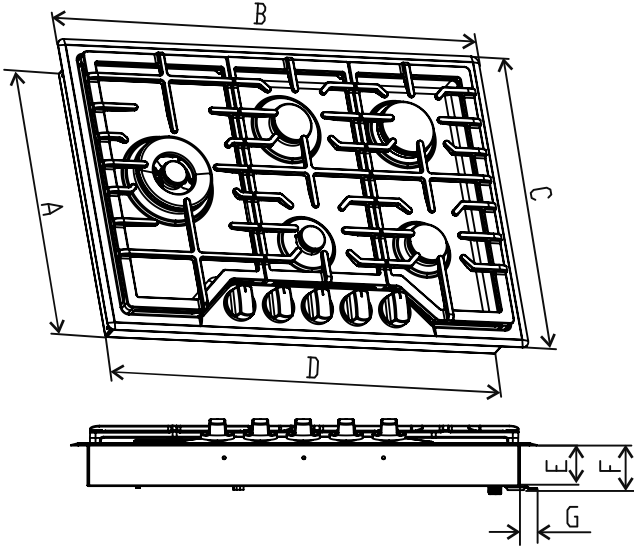
#### 可移动式住宅-额外的安装要求

此灶具的安装必须符合制造房屋建筑和安全标准，第24章美国联邦法规，第3280部分（原可移动式住宅建筑和安全联邦标准第24章，住房和城市发展部280部分），如果该标准不适用，请使用工业化住宅安装标准，ANSI A225.1/NFPA 501A 或当地规则。

在加拿大地区，该灶具的安装必须符合当前最新版本标准CAN/CSA-A240或当地规则。

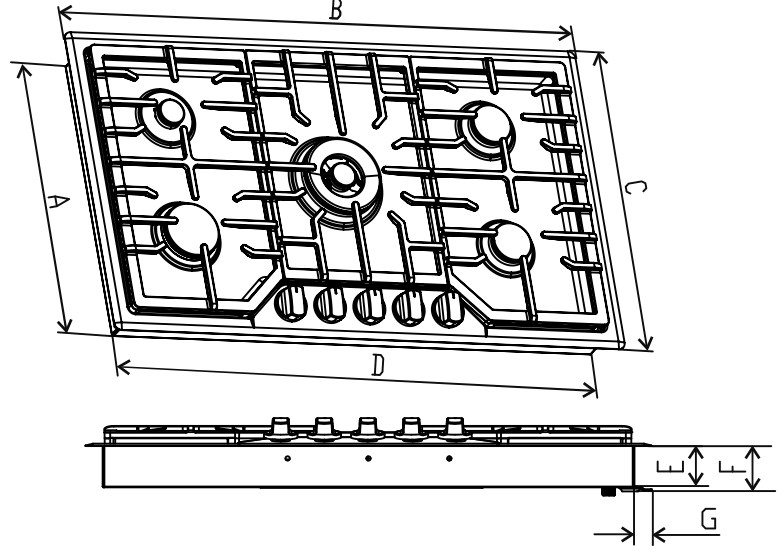
产品尺寸

JZ(Y/T)-G513/7G7H50 型号



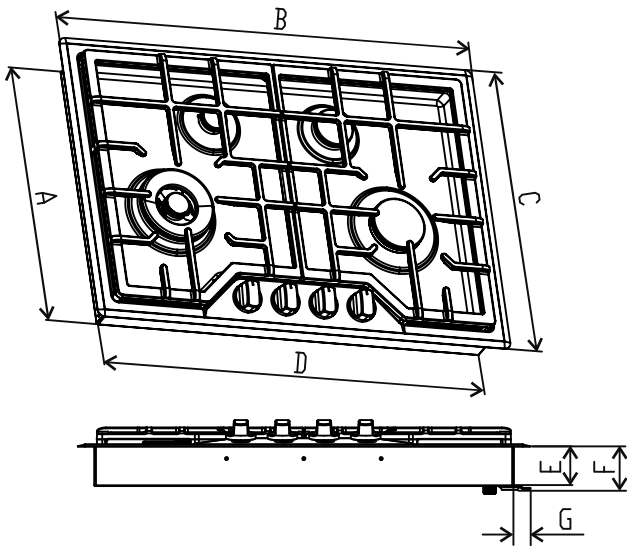
- A. 19 英寸(48.3厘米)
- B. 30 英寸(76.0厘米)
- C. 21 英寸(53.0厘米)
- D. 28 英寸(71.1厘米)
- E. 2<sup>3</sup>/<sub>5</sub> 英寸(6.6厘米)
- F. 2<sup>7</sup>/<sub>8</sub> 英寸(7.3厘米)
- G. 1<sup>1</sup>/<sub>10</sub> 英寸(2.8厘米)

JZ(Y/T)-G515/7G9H50 型号



- A. 19 英寸(48.3厘米)
- B. 36 英寸(91.0厘米)
- C. 21 英寸(53.0厘米)
- D. 34 英寸(86.4厘米)
- E. 2<sup>3</sup>/<sub>5</sub> 英寸(6.6厘米)
- F. 2<sup>7</sup>/<sub>8</sub> 英寸(7.3厘米)
- G. 1<sup>1</sup>/<sub>10</sub> 英寸(2.8厘米)

JZ(Y/T)-G413 型号

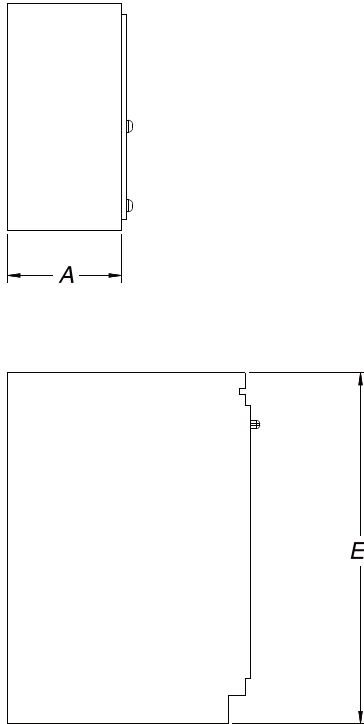


- A. 19 英寸(48.3厘米)
- B. 30 英寸(76.0厘米)
- C. 21 英寸(53.0厘米)
- D. 28 英寸(71.1厘米)
- E. 2<sup>3</sup>/<sub>5</sub> 英寸(6.6厘米)
- F. 2<sup>7</sup>/<sub>8</sub> 英寸(7.3厘米)
- G. 1<sup>1</sup>/<sub>10</sub> 英寸(2.8厘米)

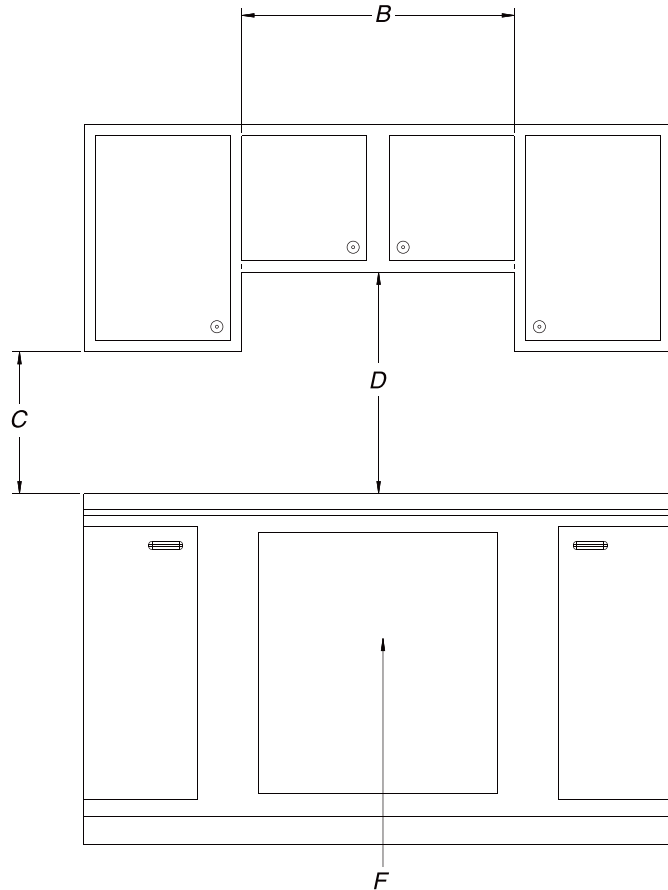


橱柜间距

侧面图

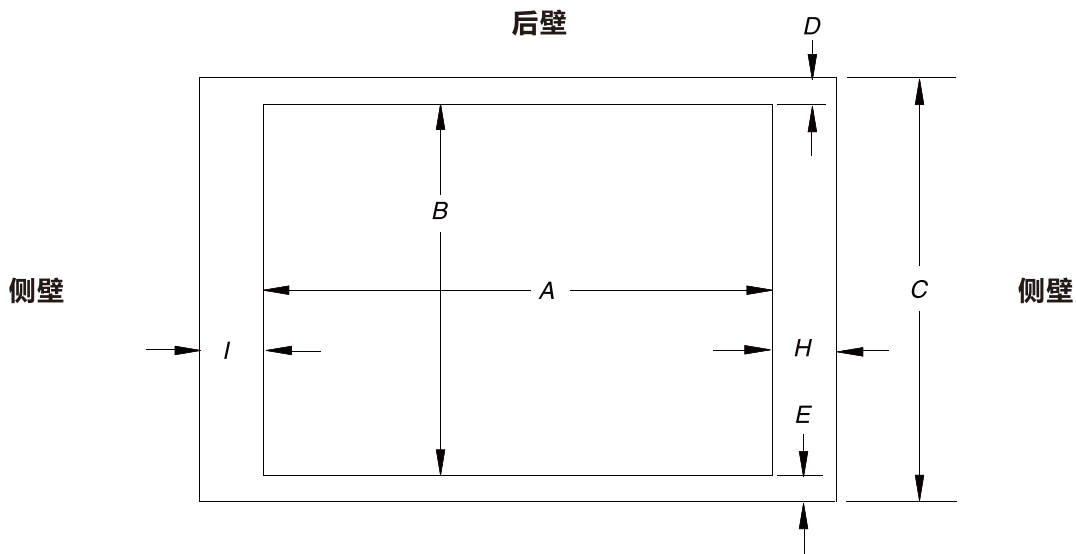


正面图



- A. 顶橱柜深度建议:13英寸(33.0厘米)。
- B. 30英寸的型号产品建议30英寸(76.0厘米), 36英寸的型号产品建议36英寸(91.0厘米)。
- C. 从台面至顶部橱柜最小垂直距离: 18英寸(45.7厘米)。
- D. 从灶具顶部到无覆盖物的木头或金属橱柜底部的最小距离: 30英寸(76厘米)。  
如果木头或金属橱柜表面覆盖有不超过1/4英寸[0.6厘米]的阻燃纸板, 或覆盖有不超过28MSG的钢板, 0.015英寸[0.04厘米]不锈钢板, 或覆盖有不超过0.024英寸[0.06厘米]铝板或0.020英寸[0.05厘米]铜板, 其橱柜底部到灶具顶部的最小距离: 24英寸[61厘米]。
- E. 灶台面到地板的距离: 36英寸(91.0厘米)。
- F. 燃气管道开孔-墙: 柜灶台面下5英寸(12.7厘米)的任何位置。橱柜地面: 建议后墙的6英寸(15.2厘米)内的任何位置。

开孔尺寸-俯视图



灶台正面边距

产品开孔尺寸						
30英寸 (76.0厘米) 型号						
型号	A			B		
	最小尺寸	建议尺寸	最大尺寸	最小尺寸	建议尺寸	最大尺寸
JZ(Y/T)-G513 JZ(Y/T)-G413 JZ(Y/T)-7G7H50	28英寸 (71.1厘米)	28 <sup>2</sup> / <sub>5</sub> 英寸 (72.2厘米)	28 <sup>4</sup> / <sub>5</sub> 英寸 (73.2厘米)	19 <sup>1</sup> / <sub>10</sub> 英寸 (48.5厘米)	19 <sup>1</sup> / <sub>3</sub> 英寸 (49.1厘米)	19 <sup>4</sup> / <sub>5</sub> 英寸 (50.3厘米)
36英寸 (91.0厘米) 型号						
JZ(Y/T)-G515 JZ(Y/T)-7G9H50	34英寸 (86.5厘米)	34 <sup>2</sup> / <sub>5</sub> 英寸 (87.5厘米)	34 <sup>4</sup> / <sub>5</sub> 英寸 (88.5厘米)	19 <sup>1</sup> / <sub>10</sub> 英寸 (48.5厘米)	19 <sup>1</sup> / <sub>3</sub> 英寸 (49.1厘米)	19 <sup>4</sup> / <sub>5</sub> 英寸 (50.3厘米)

侧壁 (易燃表面)	
型号	H及I
JZ(Y/T)-G513 JZ(Y/T)-G413 JZ(Y/T)-G515 JZ(Y/T)-7G7H50 JZ(Y/T)-7G9H50	H及I 加一起至少48英寸 (122.0厘米), 每一边至少10英寸 (25.4厘米)。

后壁与灶台正面尺寸型号			
型号	C	D	E
JZ(Y/T)-G513 JZ(Y/T)-G413 JZ(Y/T)-G515 JZ(Y/T)-7G7H50 JZ(Y/T)-7G9H50	29英寸 (73.6厘米)	5 <sup>1</sup> / <sub>3</sub> 英寸 (15.3厘米)	4英寸 (10.2厘米)

**注意:**灶台面开孔后, 有些安装可能要求在底柜侧面上开口, 以便清理灶台底部。为避免修改, 底柜侧面需宽于开孔尺寸。

如果橱柜带有抽屉, 从灶台面到抽屉 (或其它物品) 顶部的距离要求4英寸(10.2厘米)。为避免与稳压阀有突, 抽屉深度可能需要短一些。

**重要:**如果嵌入式烤箱装在灶具下面, 接地插头及燃气管道需安装在临近橱柜内。此灶具及其气源和电源必须在安装嵌入式烤箱之前安装好。

## 电气要求

## 燃气供应要求

 警告

## 电击危险

请插入带接地的3脚插座。  
请勿移动接地插座。  
请勿使用转接器。  
请勿使用外接电源。  
未遵照指示可能会导致死亡，火灾，或电击。

 警告

## 电气接地说明

本产品配有一个四脚接地插头，以保护您免受电击危害。请直接插入正确的接地插座中。请勿将此插头的接地切断或拆卸。

**重要:** 灶具必须按照当地规则和条例进行电气接地，在无当地规则的情况下，可根据国家电气规则ANSI/NFPA70或加拿大电器规则，CSA C22.1-02进行电气接地。

如果规则允许并使用单独的地线,建议有资质的安装人员确定地线的路径是否足够。

上述规则可从以下获得:

美国消防协会  
马萨诸塞州昆西市Battery March公园1号  
邮编:02269  
CSA标准协会  
俄亥俄州克利夫兰市Pleasant Valley东路 8501  
邮编:44131-5575

- 要求120V, 60Hz, AC交流电, 15安培, 融合电路。同时要求延时保险丝或断路器。另建议灶具采用独立的电路供电。
- 电子点火系统操作在宽电压范围内, 但要确保正确的接地及极性。请检查插座是否供120伏电源并且正确接地。
- 本灶具提供电路图, 见另一张单独的“电路图”。该电路图粘在灶具底部的左边。

 警告

## 爆炸危险

使用新CSA标准认可的燃气。  
安装开关阀。  
确保所有燃气接头均拧紧。  
如果连接液化气, 由有资质的人员安装, 并确保气压不超过14英寸 (36厘米) 水柱。  
有资质的人员包含:  
有执照的供热人员,  
特许燃气公司人员及特许售后人员。  
未遵照指示可能会导致死亡, 火灾, 或电击。

遵守所有的规则与条例

**重要:** 安装必须符合当地规则与条例。在无当地规则的情况下, 必须符合美国国家标准, 国家燃气规则ANSI Z223.1-最新修订版 或 天然气和丙烷安装规则 B149-最新修订版。

## 气体类型

## 天然气:

- 工厂出厂设置该灶具使用天然气。如要更换为液化气, 见参照包装箱内“液化气体更换”说明。位于灶具底部的铭牌上有关于可使用的气体类型的信息, 如果所列气体类型未含您所使用的气体种类, 请向当地燃气供应商咨询。

## 液化气转换:

液化气必须由有资质的售后技术工程师来更换。未经咨询燃气服务供应商, 不得自行将灶具从铭牌所述的气体转换为其他气体使用。参见包装箱内气体转换说明。

## 警告:

切勿将此产品当作取暖器来加热或取暖房间, 这样可能会导致一氧化碳中毒。

### 燃气供应管道

- 为灶具提供一条3/4英寸(1.9厘米)的燃气供应刚性管道。较小尺寸且较长的管道可能引致燃气供应不足。液化气需使用管接头，不能用特氟龙胶带。液化气体，管道或管尺寸应最小1/2英寸。液化气供应商通常决定系统中使用的材料及尺寸。

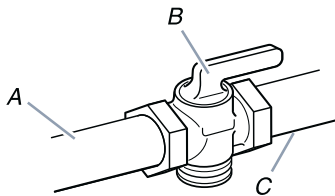
#### 软金属器具接头：

- 如果当地规则允许，使用由CSA设计的1/2英寸或3/4英寸内径的软不锈钢管燃气接头，连接灶具与硬燃气供应管道。



- 用一个1/2英寸外螺纹来连接灶具稳压阀内螺纹入口。
- 当移动灶具时，请勿扭结或损坏软金属管。
- 必须配有开关阀：

燃气供应管道必须安装手动开关阀。该阀与灶具同一室内，位于开孔处外部，如相连的橱柜内。必须是不需要移动灶具情况下就可触摸到开关阀。且开关阀应装在容易开关的位置。请勿阻挡开关阀的通路。该阀的作用是打开或关闭通向灶具的燃气。



A. 燃气供应管道  
B. 开关阀于“开”的状态  
C. 通向灶具

- 产品的泄漏测试应遵循供应商的说明进行。

### 稳压阀

需使用灶具配置的稳压阀。稳压阀的入口压力应根据如下所示正常操作：

#### 天然气：

最小压力：4英寸(9.9厘米)WCP

最大压力：7英寸至14英寸(17.8厘米至35.5厘米)WCP

#### 液化气：

最小压力：10英寸(25.4厘米)WCP

最大压力：14英寸(35.5厘米)WCP

如果您不确定入口压力，请联系当地燃气供应商。

### 炉头输入值要求

铭牌上的额定输入值适用于海拔2000英尺(609.6米)以下的地区。海拔超过2000英尺(609.6米)，每高出海平面1000英尺(304.8米)，额定值应减少4% (不适用于加拿大)。

### 供气压力测试

稳压阀的供气压力测试

测试稳压阀的气体供应压力必须至少比铭牌上显示的进气管压力高1"水柱。

#### 管道压力测试在1/2psi (14英寸WCP) 以上

当测试压力超过1/2psi(3.5kPa)的时候，灶具及其单独的开关阀应与供气管道系统断开。

#### 管道压力测试为1/2psi (14英寸WCP) 或以下

当测试压力等于或小于1/2psi(3.5kPa)的时候，灶具需通过关闭单独的手动开关阀与供气管道系统隔离。

如果您需要更换气源，请到指定的供应商处购买相应产品的转换包。

产品型号：JZ(Y/T)-G513 JZ(Y/T)-G515 对应的部件号：880

产品型号：JZ(Y/T)-G413对应的部件号：881

产品型号：JZ(Y/T)-7G7H50对应的部件号：882

产品型号：JZ(Y/T)-7G9H50对应的部件号：883

请遵循转换说明指示。

销售商联系方式：见封面。

请保存从产品拆下来的喷嘴以备将来使用。

## 安装说明

### 安装灶具

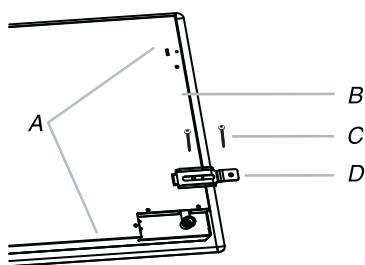
#### 警告

##### 超重危险

请用2人或多人移动或安装灶具，如果不这样做，可能会导致安装人员背部或其他伤害。

确定灶具放置的最终位置。避免在安装过程中钻到或切断现有的线路。

1. 确定您的橱柜结构是否有足够的间隙来安装灶具底部的安装支架。此处为建议的位置。如有必要，可在灶具底部前后加装安装支架。

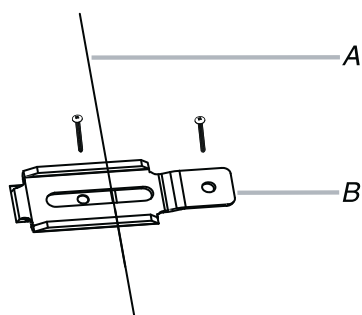


- A. 前面或后面安装连接螺钉孔的位置
- B. 灶具底盘底部
- C. 连接螺钉
- D. 安装支架（建议终端位置）

2. 使用2人或多人将灶具正面放入到开孔处。

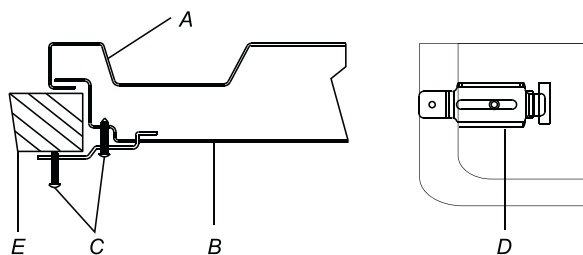
**注意：**请确保灶具前端与灶台前端平行。如需重新放置，请将整个灶具从开孔处抬起，以免刮伤灶台面。

3. 从灶具底盘底部拆下所选支架位置的螺钉。



- A. 灶具底部的边缘
- B. 安装支架

4. 用连接支架的螺丝将支架连接到灶具底盘底部，并锁紧螺丝。



- A. 灶具
- B. 灶具底盘
- C. 2英寸（5.1厘米）连接支架螺
- D. 安装支架（延伸到超过灶具底部最远可允许安装连接螺钉的位置）
- E. 灶台

### 燃气连接

#### 警告



##### 爆炸危险

使用新的CSA国际认可的燃气供应管道。  
安装开关阀。  
确保拧紧所有燃气接头。  
如连接液化气，需有资质的安装人员安装并确保气压不超过14英寸(36厘米)水柱。  
有资质的人员包含：  
有执照的供暖系统人员  
特许燃气公司人员及特许售后人员  
未遵照指示可能会导致死亡，火灾，或电击。

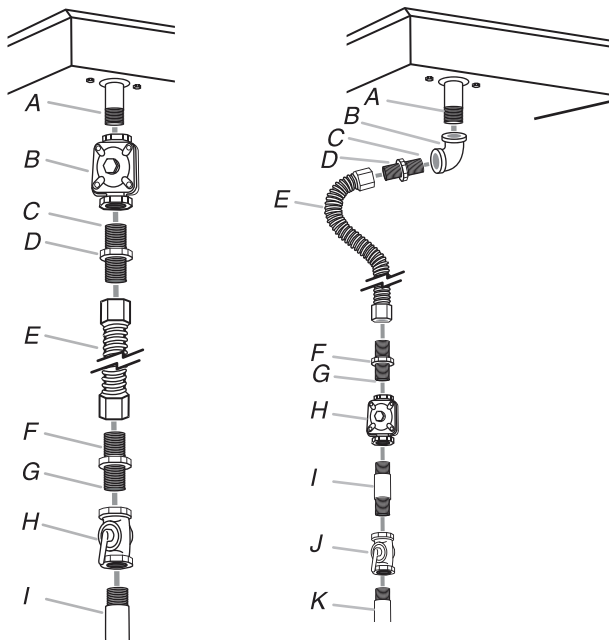
#### 正规的软管连接

1. 将管接头粘合剂应用于连接天然气和液化气软管连接头的较小螺纹端。
2. 将一个转换头连接到稳压阀上，另一个转换头连接到气体开关阀。拧紧这两个转换头。

- 使用一个15/16英寸梅花扳手和管道锁钳将软接头连接到转换头上。检查软接头是否有扭结。

**重要：**所有的连接必须用扳手拧紧。请勿将稳压阀连接得过紧，过紧可能会使稳压阀破损，导致气体泄漏。紧固连接件时不允许打开稳压阀。

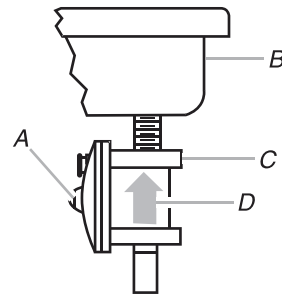
**灶具下面无器具/障碍物 建议安装在灶具下面，避免干扰**



- A. 进气管
- B. 稳压阀
- C. 使用管接头粘合剂
- D. 转换头 (需用1/2英寸公管螺纹)
- E. 软管接头
- F. 转接头
- G. 使用管接头粘合剂
- H. 手动燃气开关阀
- I. 1/2英寸或3/4英寸气管

- A. 进气管
- B. 3/8英寸弯头
- C. 使用管接头粘合剂
- D. 转换头 (需用3/8英寸公管螺纹)
- E. 软管接头 (在橱柜间穿墙)
- F. 转接头 (需用3/8英寸公管螺纹)
- G. 使用管接头粘合剂
- H. 稳压阀 (提供)
- I. 1/2英寸或3/4英寸气管
- J. 手动燃气开关阀
- K. 1/2英寸或3/4英寸气管

- 安装稳压阀时，稳压阀上的箭头指向灶具底盘底部，并且安装在可以接触到稳压阀检修盖的位置。

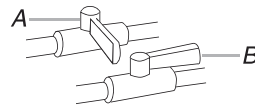


- A. 检修盖
- B. 灶具后部
- C. 稳压阀
- D. 向上箭头。稳压阀必须安装在箭头指向灶具底部的位置

只能使用与天然气及液化气上专用的管接头粘合剂 请勿使用特氟龙胶带，您需要根据您的安装确定所需的配件。

**整体连接**

- 打开燃气供应管道上的手动开关阀。当手柄与气体管道平行时，阀门处于开启状态。

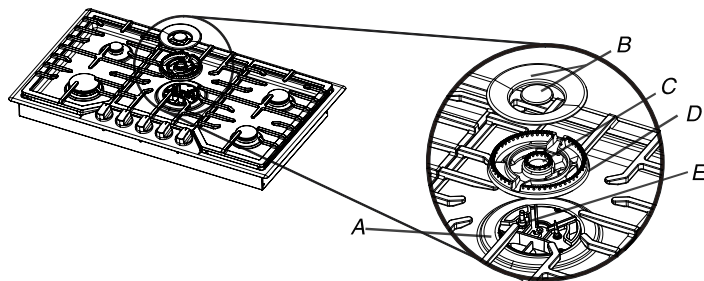


- A. 关闭状态的阀体
- B. 打开状态的阀体

- 使用经认可的无腐蚀性泄漏检测溶液进行所有连接头的刷涂测试。出现气泡即表示泄漏。请重新修正任何有泄漏的地方。

- 从部件包中拆开炉头盖、炉头座及炉架的外包装，将炉头盖上的凹口与炉头座上的销钉对齐放置。

将点火针对准炉头底座上的孔。炉头盖应正确放置并保持水平状态。如果炉头盖放置不正确，炉头将点不着火。将炉架置于炉头和炉头盖上。



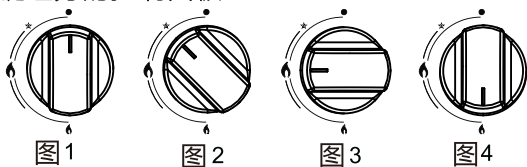
- B. 炉头盖
- C. 气管出口
- D. 炉头座
- E. 点火针

## 整体安装

### 电子点火系统

下面的符号会出现在每个控制旋钮旁的控制面板上：

- : 气体关闭
- \* : 点火位置
- 🔥 : 大火
- 🔥 : 小火



### 警告

顶部燃烧器的火焰大小应该调整，不能超出锅的边缘。本说明基于安全考虑。

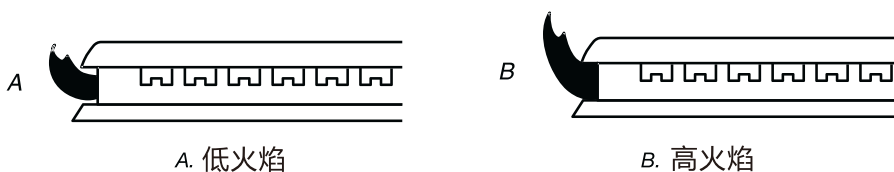
- ◆ 小火在旋钮逆时针转的末端。
- ◆ 所有操作位置必须在大火和小火之间选择。
- ◆ 不要在大火和关闭位置之间调节旋钮。
- ◆ 面板上，旋钮旁边的符号将指示所操作的灶具燃烧器的状态。本灶具带安全自动熄火保护装置，已装在每个燃烧器上。

### 炉头点火

- ◆ 检查炉头铜盖、铜中心或其它部位是否放置正确，确认旋转旋钮位置（图1），然后打开气阀。
- ◆ 如果您一直按下控制旋钮，炉头就会自动点火。
- ◆ 点火：按下控制旋钮，然后逆时针90度转到最大火位置。在炉头火焰点燃后，应按住控制旋钮15秒。如果15秒后炉头仍未能点燃，请停止操作并打开橱柜门，等待至少1分钟后再尝试点火。
- ◆ 经过火焰调节15秒后，应继续逆时针旋转控制旋钮，直到火焰达到合适的大小。操作位置必须在最大火位置(图3)和最小火位置(图4)之间。
- ◆ 如需关闭炉头，请将控制旋钮完全顺时针旋至气体关闭位置。
- ◆ 在停电的情况下，可以用一根火柴小心地点燃。
- ◆ 熄灭:当旋钮旋至(图1)位置时，炉头熄灭。
- ◆ 低温下灶具的使用方法与常温下相同。

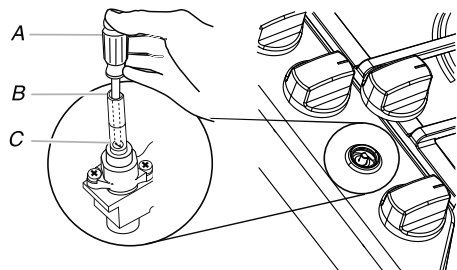
### 检查火焰高度

调整炉头表面火焰的高度。炉头表面“低”火焰应为稳定的蓝色火焰约1/4" (6.4毫米)高。



### 调整单阀

1. 将炉头火焰调至LO位置。
2. 取下控制旋钮。
3. 用一把钳子钳住阀杆，并用3/32" (#0[2毫米])一字螺丝批旋转控制旋钮阀杆上的螺钉，直到火焰大小合适。



A. 3/32" (#0[2毫米]) 一字螺丝批(螺丝批柄长度最小2英寸[5.1厘米])。

B. 控制旋钮阀杆出口  
C. 调节螺丝位置

4. 重新装好旋钮
5. 通过旋转控制旋钮LO 到HI来检测到每个位置上的火焰大小。

**重要：**双阀调节必须由有资质的安装人员或售后服务机构来执行。



## 清洁维护注意事项

### 清洁



清洁操作必须在灶具冷却后进行。在开始任何清洁之前，应该先断开本灶具的电源。

- ◆ 灶具应定期进行清洁，建议每12个月全面检查一次。
- ◆ 保持灶具区域整洁，远离易燃物品、汽油和其它易燃气体和液体。
- ◆ 勿阻碍燃烧并保持通风气流。
- ◆ 您不应该使用蒸汽或任何其他高压清扫设备来清洁本灶具。

### 每次使用后

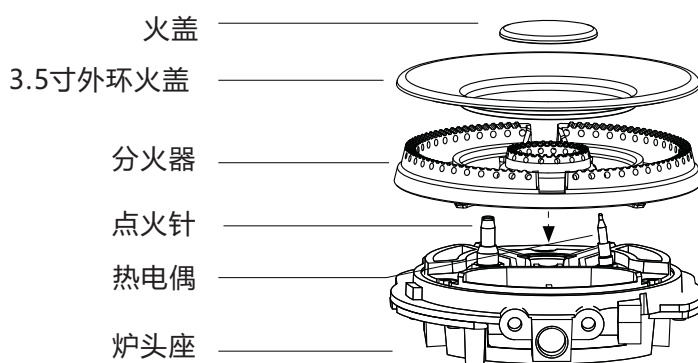
- ◆ 取下锅架，用中性洗涤剂浸湿的柔软湿抹布擦拭本灶具。抹布从肥皂水中取出后拧干。
- ◆ 用柔软干净的抹布擦干本灶具表面，使其干燥。
- ◆ 我们建议在本灶具的不锈钢表面定期使用适当的不锈钢清洁剂和抛光剂。

### 清洁灶具燃烧器

- ◆ 灶具燃烧器应每周清洁一次，如果弄脏了，应更频繁地清洁。
- ◆ 从灶具顶部向上拉出灶具燃烧器，以取下灶具燃烧器。
- ◆ 用热水和少许中性洗涤剂浸泡10分钟左右。
- ◆ 清洁干净后，仔细擦干。
- ◆ 在将燃烧器放回灶具顶部之前，确保燃气喷嘴没有被堵塞。

- ◆ **重要：**一定要按原来的方式重新组装燃烧器。

目视检查燃烧器及其火焰，参照上述“检查火焰高度”。



( 图片仅供参考，具体以实物为准。 )



Edition :A/3  
Publication Date: September 14, 2022

**ROBAM**