

ROBAM



Operation Manual

Before operating this unit, please read the operation manual completely and save it.

CXW-200-A825

CXW-200-A829

Range Hood

CONTENTS

Safety Precaution.....	1
Important Information.....	3
Product Overview.....	4
Packing List.....	4
Installation.....	5
Use Instruction.....	8
Maintenance and Services.....	10
Prats Removal.....	10
Circuit Diagram.....	12
General Troubleshooting.....	13

Dear users:




Thank for your buying our range hood. Please accept our best regards. Please read this operation manual carefully before installation and operation.

*The pictures in this manual only for your reference. If the picture isn't accord with object, subject to object. We keep to right to update appearance, structure or products without notice.

Safety Precaution


In order to avoid harm or property damage to the users or other person, the following distinction and marks are stipulated. They are important safety precaution, please comply strictly based on the full understanding.










Subject to harmful or destruct degree

 Danger	If ignore this sign and operate product improperly, it's highly possible to cause danger, serious injury or fire.
 Warning	If ignore this sign and operate product improperly, it's possible to cause danger, serious injury or fire.
 Notice	If ignore this sign and operate product improperly, it's possible to cause injury or loss.

Notice and Prohibit Mark

 Prohibit	 Prohibit Flame	 Prohibit Touch	 Prohibit Touch by Wet Hand	 Prohibit Disassembly	 Strict Execution	 Necessary Earthed	 Caution Electric Shock	 Caution Scald
---	---	---	---	---	---	---	---	--

 **Warning** Please use this product according to manual strictly, or ROBAM shall not take any responsible caused by improper operation.









 Danger	
 Prohibit Don't allow children or weakling to use range hood separately, or it may cause electric shock or other accident.	 Prohibit Touch by Wet Hand Don't touch plug, electric parts or button by wet hands, or it may cause electric shock.
 Prohibit Prohibit water on motor, switches or other electric parts; Prohibit wash range hood by water spray. Don't use range hood if wet or it may cause electric leakage or shock.	 Prohibit Don't change, stretch, bind or press electric wire, or it's possible to cause electric shock or fire because of broken wire.
 Strict Execution The electric wire must be cut off before clean, install or maintain range hood avoiding from electric shock.	 Prohibit Prohibit any change of interior circuit, or it may cause injury or other danger, for example, electric shock or fire.
 Strict Execution Please turn off range hood immediately if pan got fire (range hood shall aggravate fire if it's working) and extinguish fire by effective action. For example, cover flame by metal cover, turn off gas valve immediately and remove inflammable things.	 Strict Execution Any abnormal, please turn off power, take off plug or cut off electric source, and contact service. It's possible to cause electric shock or fire if using range hood under abnormal situation.

Warning

 <p>Prohibit Disassembly</p> <p>Range hood must be installed, disassembled or maintained by professional person.</p>	 <p>Prohibit</p> <p>Put out the stove fire in time when it is not used. That the stove fire bakes the range hood directly is prohibited. Do not barbecue food directly under the range hood lest the range hood is damaged and an accident should occur.</p>
 <p>Strict Execution</p> <p>In order to ensure safety, range hood must be installed by specific accessory (especially expansion pipe and wooden screws, or it may cause accidental drop of range hood). The pipe bore and hole must fit tightly during the installation of metal expansion pipe. It is prohibited to make excessively large hole to prevent accidental drop of loosening expansion pipe.</p>	 <p>Strict Execution</p> <p>The range hood must be used by specific plug and properly ground it. It's possible to cause electric shock, hot plug or fire because of improper electric wire. Installation must be executed by professional person based on local electrical regulations. Before connect electricity, power must be turned off.</p>
 <p>Strict Execution</p> <p>If electrical wire is broken, only professional engineer can replace it.</p>	 <p>Strict Execution</p> <p>All operation must comply with our safety guidelines as well as local safety regulations.</p>
 <p>Strict Execution</p> <p>If the range hood will be used with the kitchen range burning gas or other fuels, the room must be well ventilated.</p>	 <p>Strict Execution</p> <p>The range hood is used only daily life not special environment (for example, outside). And it's not allowed to exhaust dangerous or explosive matter or air. It should be put under dry and ventilation environment without dangerous air.</p>
 <p>Strict Execution</p> <p>The range hood and electric circuit must be installed by skilled and trained personnel with required qualification. When installation, the related regulation, standard or instruction on fire must be complied. It may cause danger because of improper installation, for example, electric shock, drop or fire accident.</p>	 <p>Strict Execution</p> <p>The outlet must be connect with outside. In order to ensure safety and fresh air, waste gas should be exhaust to outside. Don't exhaust waste gas to the wall, loft or garage.</p>
 <p>Strict Execution</p> <p>It may get fire if cleaning range hood not in accordance with manual.</p>	 <p>Prohibit Touch</p> <p>Don't touch bulb if it's on or just close in short time, or it may cause scald.</p>
 <p>Strict Execution</p> <p>Keep a good habit to turn off gas hob and gas valve if go outside, sleep or finish operation. Replace or check gas pipe regularly, since gas alarm device can't completely avoid accident caused by gas leakage.</p>	



Notice

 <p>Prohibit</p> <p>The gas from range hood shall not be exhausted to hot flue used for burning gas or other fuels.</p>	 <p>Strict Execution</p> <p>The temperature for range hood working can't exceed 40°C.</p>
 <p>Strict Execution</p> <p>Because the installation is difficult and hood is heavy, the installation shall be executed by professional person based</p>	 <p>Strict Execution</p> <p>Before removing range hood for installation, clean or maintenance, power must be cut off avoiding from electric shock. When installation, clean</p>
 <p>Strict Execution</p> <p>Don't broken electric wire or other invisible equipment when cutting something or drilling holes on ceiling.</p>	 <p>Strict Execution</p> <p>When range hood is using in well sealed building, it should have air inlet or open door to ensure good</p>
 <p>Strict Execution</p> <p>When the oil exceeds 2/3 or near tick mark in the oil cup, clean it in time. Don't eat waste oil from oil cup.</p>	 <p>Strict Execution</p> <p>The wall of installing range hood needs enough strength. For hollow walls, the thickness of solid layer of hollow wall must be more than 30mm, but for concrete walls, it can be drill holes directly. The range hood</p>

Important Information

Package of Range Hood

Please settle those packages carefully in order to protect environment.

Don't allow children to play plastic film and package, it may cause asphyxia. Please avoid children near package material.

Before use range hood

This range hood exhaust fume outside.

Please read this manual and all information carefully before installation and operation. Please comply with our suggestion. If it's necessary, please read manual for gas hob. And please keep these manual carefully for future reference.

This manual is available for different models. So you may find different description with your own range hood.

If range hood has obvious damage, please don't electrify and contact operator.

This appliance is not intended for use by persons (including children) with reduced physical, sensory or mental capabilities, or lack of experience and knowledge, unless they have been given supervision or instruction concerning use of the appliance by a person responsible for their safety.

Children should be supervised to ensure that they do not play with the appliance.

Product Overview

Product Parameter

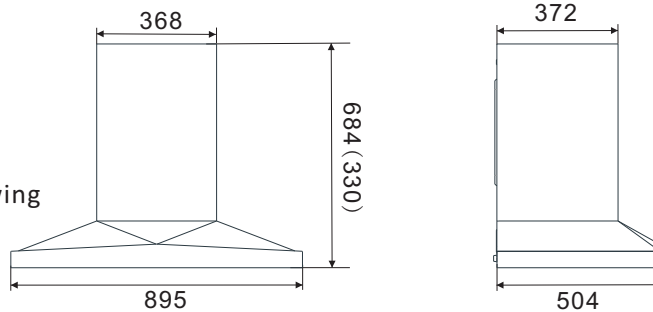
Model	CXW-200-A825	Noise	≤57dB (A)
	CXW-200-A829		Rated Whole Machine input power
Power Supply	220-240V~ 50Hz	Rated Main Motor input power	200W
Total Pressure Efficiency	≥23%	Max lighting power	A825:≤2W A829:≤4W
Nominal Pressure	≥320Pa	Dimension (L×W×H)	895×504×684(mm)
Air Flow Rate	19m³/min	Net weight	26kg
Maximum Static Pressure	430Pa	Grease separation degree	≥91%
Normal Odor Reduction Degree	≥98%	Instantaneous Odor Reduction Degree	≥80%

Note: 1. The deviation between expressed value of air volume or maximum static pressure and measured value shall not be larger than 10% of expressed value.

2. When working on the stir frying function, the power is 5% higher than strong gear(level-3) and the air volume is 20m³/min.

size&Dimension

Labeled dimensions are only for reference , Size in the bracket is the height of Drawing panel.(Unit: mm)



Packing List

Please check lists if open the package.

Packing List	No.	Name	Quantity	No.	Name	Quantity
	1	Range Hood	1 piece	11	ST4×60 Wooden Screw	4 pieces
	2	Φ175 (Outer Diameter) Aluminum Foil Air Duct	1 set	12	Hitching Leg Stop Block	1 piece
	3	Φ175 (Outer diameter) Air Duct Interface		13	M6 Metal Expansion Pipe	1 pair
	4	Fixed Bar Of Air Duct		14	Hitching Leg	1 piece
	5	Adhesive Tape Of Air Duct		15	Torsional spring rubber sleeve	2 pieces
	6	Plastic Expansion Pipe	4 pieces	16	Torsional spring collar	2 pieces
	7	Operation Manual	1 piece	17	left & right drawing panel torsional spring	one on each side
	8	Check Valve	1 set	18	Torsional spring case	2 pieces
	9	Oil Cup	1 piece	19	M4×10 countersink screw	2 pieces
10	ST4x18 Self-Tapping Screw	10 piece				

Note: When using the hood, install the cup on the filter mesh.

Installation

Warning

1. The air must not be discharged into a flue that is used for exhausting fumes from appliances burning gas or other fuels, the discharge of air must fulfill the requirements of local regulations.
2. Note that when installing the metal expansion pipe, the pipe shall match with the hole in size. Overlarge hole is prohibited, as it will result in loose pipe and accidental drops.
3. There shall be adequate ventilation of the room when the range hood is used at the same time as appliances burning gas or other fuels.
4. If the flue aperture is less than air duct aperture, it will influence the fume suction effect and the too long air duct will influence the fume suction effect, too.
5. This product is only for daily use and please do not use it under special environment (e.g. outdoor); nor can it be used to exhaust hazardous or explosive substance or gas. Before assembly, the product shall be placed in environment which is dry, ventilated without corrosive and harmful gas in the surrounding.

Preparation Before Installation

● Surrounding environment

Range hood shall be avoided to be installed at the place where there are many doors and windows since it will cause too large cross-ventilation so as to influence the oil fume exhaust effect.

● Tool preparation

The following tools shall be prepared when range hood installation: 1. Electric impact drill (with drill); 2. Wrench; 3. Screw driver; 4. Ruler

Installation Notice

- Installation and circuit setting must be operated by professionals with experiences and non-professionals shall not assemble, disassemble and repair range hood.
- Don't connect power before installation, it may cause electric shock.
- If your kitchen is in decoration state, please do not expose the range hood outside since construction material, dust, paint, coating and the gases they volatile will corrode the surface of range hood and the surface will be tarnished. Therefore, it's suggested to assemble the range hood after decoration.
- If gas hob needs to be removed before installing range hood, please turn off gas valve firstly.
- Don't install range hood on the wooden or other flammable wall. The wall of installation range hood shall be on the nonflammable, enough stable, smooth and level surface.
- Range hood may have very sharp edge, please wear protective gloves while moving the range hood for installation, cleaning or maintenance.
- When drilling holes on the wall, the electric wire buried in the wall shall be avoided to prevent from fire.
- Range hood shall not be installed too high, nor shall it be disturbed by external air flow so that the fume suction effect will not be influenced.
- Please retain installation space for hood while fabricating cupboard so as for the care and maintenance.
- Please keep the hood body level while installing the machine.
- Please use single phase socket with earthing, which shall be well earthed. (Water pipe grounding is not reliable. The grounding of gas piping may cause the danger of fire and explosion.)
- Use appointed accessories for installation or range hood may fall down and cause danger.
- If the supply cord is damaged, it must be replaced by the manufacturer, its service agent or similarly qualified persons in order to avoid a hazard. Don't stretch, change, tie, or press supply cord, or it may cause fire or electric shock.
- If finish installation, clean range hood firstly, then connect power and test run.

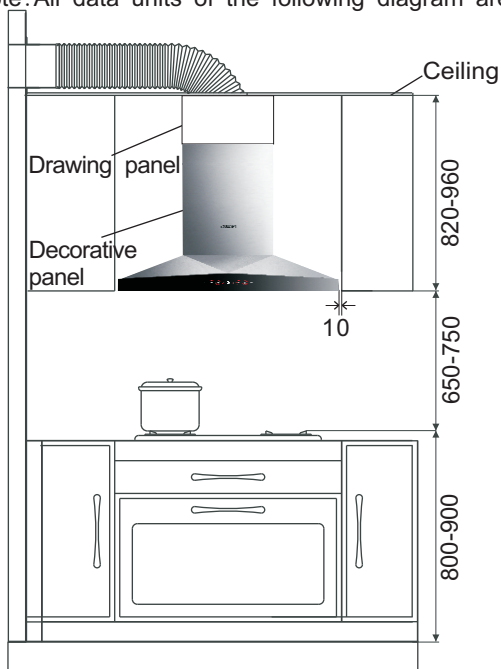
Installation

● Determine the position

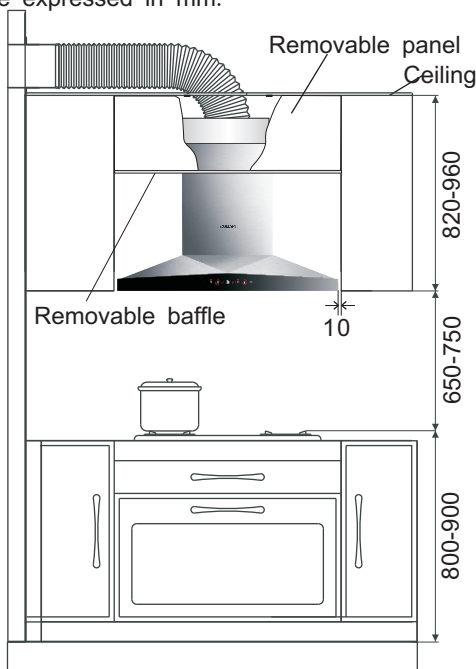
the size of removable baffle (reference: 430mm) can be adjusted according to the actual situations.

The installation pitch of holes is shown in Figure 2. The hook body shall be centered vertically and kept level. Ceiling hole size is shown in Figure 3.

⚠ The hood shall be installed right above the hob. The minimum distance between the bearing surface of cooking appliance and the lowest part of hood is 650mm (larger space specified in the installation instruction of gas hob shall be considered, if any; the distance for electric cooker may be reduced appropriately, depending on the actual situations) .
 Note: All data units of the following diagram are expressed in mm.



(Figure 1 - 1 Installation method of hood without removable baffle)



(Figure 1 - 2 Installation method of hood with removable baffle)

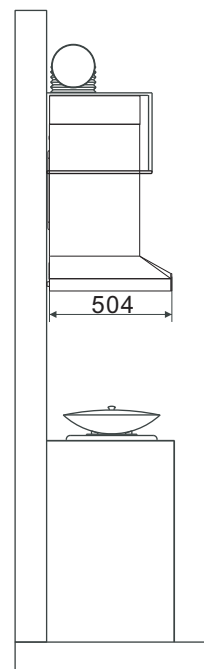


Figure 2

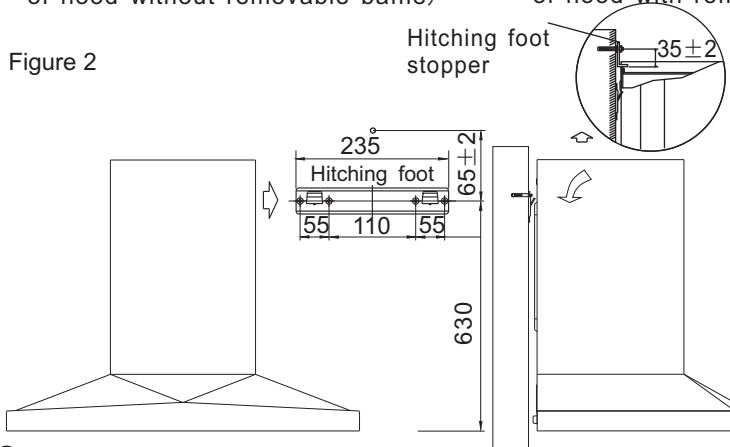
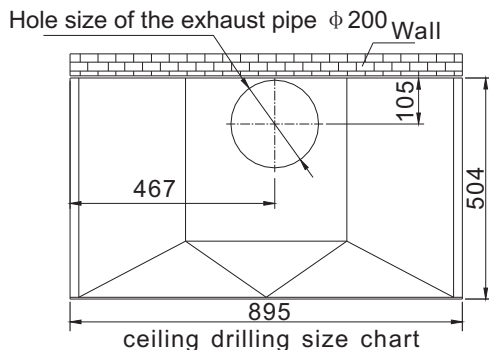


Figure 3



● Install hitching feet

according to the size of the hitching feet, drill four 60-70mm deep holes on the wall accordingly with an 8mm diameter drill bit (overlarge holes are prohibited) . Press the expansion pipe into the holes, and then fix the hitching feet with 4 accompanying ST4×60 wood screws. At 65mm above the four holes, drill a hole of 10mm diameter and 50-55mm depth (overlarge holes are prohibited). Insert the M6 metal expansion pipe into the hole. (As shown in Figure 2)

●Install drawing panel torsional spring (note: this installation steps before the hood body is fixed)

Figure 4-1

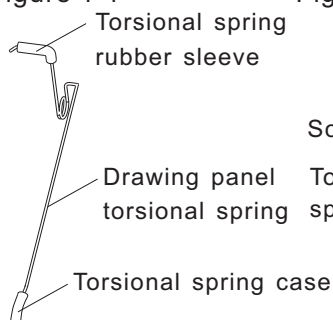


Figure 4-2

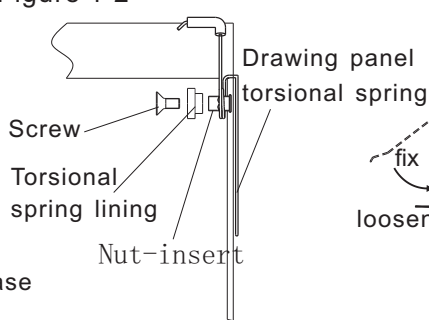
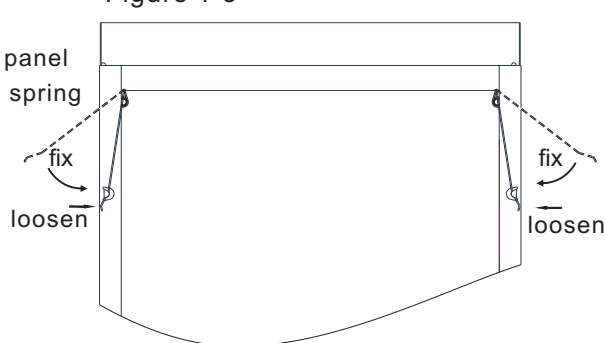


Figure 4-3



Firstly, put torsional spring rubber sleeve on drawing panel torsional spring, then put torsional spring case on drawing panel torsional spring.

a. Firstly put drawing panel torsional spring into nut-insert;
 b. Then put torsional spring into nut-insert;
 c. Finally, fix torsional spring lining and nut-insert with M4×10 screw.

Push drawing panel torsional spring on both ends of drawing panel from dotted line position to solid line position as shown in figure to fixed them.

●Install the hood body

Fix the check valve as shown in Figure 6. Then direct the hanging holes in the back of hood at the hooks of hitching feet according to Figure 2, and press them together. Shake the body to check if it's hung securely. After the body is mounted, install the hitching foot stopper and gaskets to the M6 metal expansion pipe, and then tighten the nuts (to prevent accidental decoupling of the body under external force).

●Fix the drawing panel

As shown in Figure 1-1, there are some gap between the drawing panel and the top plate, loosen the drawing panel torsional spring as shown in Figure 4-3 and push the panel against the top plate, then fix the drawing panel torsional spring, finally peel off the protective film.
 (if installation method in Figure 1-2 is adopted, there is no need to adjust and fix the drawing panel)

Install ALUM-Nod

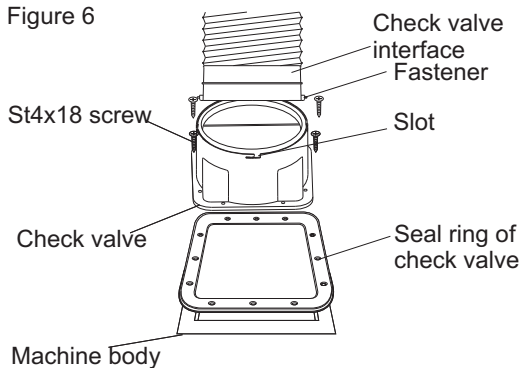
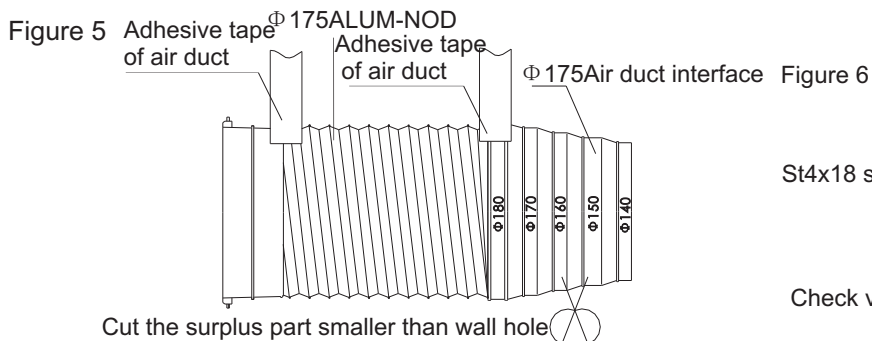
●Hole position of ALUM-NOD (No need to drill holes in public flue)

- Installation of air duct and coil base directly facing window:** Disassemble a glass and assemble plywood with exhaust holes, or drill holes on the glass directly.
- When coil base is not close to window:** Select the nearest coil base, install the air duct on the window accessible to outdoor to penetrate the window; or select the nearest coil base, drill hole on the wall accessible to outdoor and install air duct to penetrate the wall.
- Drill the wall opening:** Measure the position that air duct faces wall and mark the drilling scope on the wall surface (i.e. circle a little larger than outer diameter of air duct), then use long drill to drill the wall. Pay attention to the wall structure and material while drilling and do not damage the wall besides wall opening.

●Connect the ALUM-NOD

First connect the ALUM-NOD without air duct fixed strip with air duct interface, sealed by adhesive tape of air duct and straighten the ALUM-NOD to outdoor directly. When the wall hole is larger than ALUM-NOD, the air duct can be pulled to outdoor directly; when the wall hole is smaller than air duct, it can be selected according to the hole size since the small end of air duct interface has four specifications: 140, 150, 160 and 170. The surplus part that is smaller than wall hole can be cut by scissor.

Then insert the other end of ALUM-NOD with air duct fixed strip between internal and external ring of check valve outlet and seal it by adhesive tape of air duct. Last, put the 4 fasteners into the slots and rotate clockwise, the ALUM-NOD is fixed on the check valve.

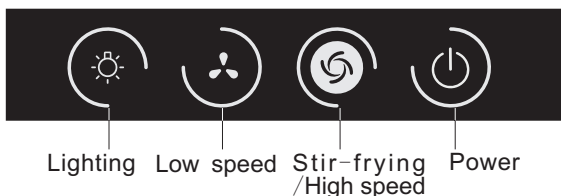


Note: Please straighten the ALUM-NOD while assembling so as to prevent ALUM-NOD from producing noise at semi-stretching state; the surplus part can be cut by wire cutter.





The diameter of exhaust wall hole shall be close to the air duct diameter, which shall not be too small, or it will cause unsmooth fume exhaust, rise of noise and reduction of air volume. Outlet pipe and wall hole or connection with public flue interface must be sealed strictly so as to make sure that the air duct and check valve or public flue interface are connected firmly and make sure that the blade of check valve or public flue interface is flexible in opening and closing.

Use Instruction

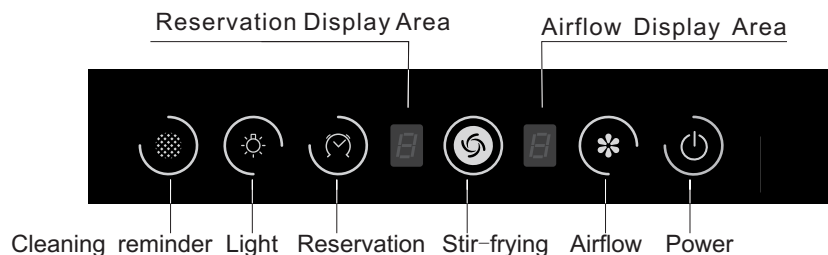
A825 Switch Control Panel




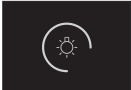



Plug in and 3 tick from the buzzer will indicate qualified installation. The hood is in standby.

 Lighting	Press the light button to turn on the light and repress to turn it off. Each press will trigger a tick from the buzzer. The Lighting Button only controls the
 Low speed	Press the "Low speed" when "power" is on, the impeller will rotate in low speed to absorb fume (that is, low speed is turned on). Press again, low speed is turned off.
 Stir-frying /High speed	Press the "stir-frying/High speed" when "power" is on, stir-frying is turned on, and the icon shall be flickering. Press the button again, range hood shall change to high speed. If there is not any operation in stir-frying working condition, range hood shall change to high speed automatically after 3 minutes. The icon is lit up in high speed working condition.
 Power	Press the "power", icon will flicker and range hood is in standby state. That is to say, it is ready-made and waiting for the work instructions. When "Power" icon is on, if only lighting lamp is on, gently touch the "Power" key, the lighting lamp will be turned off; if "Power" is on and fan is working, gently touch the "Power" key, the power icon will flicker and range hood will be in delayed working condition, then turn off all the working conditions after 1 min; If power icon is flickering, gently touch the "Power" key, then all the functions will be shut down.

A829 Switch Control Panel



 <p>Power</p>	<p>When the power icon is lit up and only the spotlight is "ON", press the power button gently and the spotlight will be turned off directly; if the fan is working, press the power button, the power icon will flash and the fan will be shut down after 1min. Press the button again, all functions will be disabled.</p>
 <p>Stir-frying Airflow</p>	<p>Press the stir-frying button, the airflow display area will show "6" for "3" minutes and then automatically switch to "Level-3" airflow. At this time, you may adjust the airflow via the airflow button. Each press will trigger a tick from the buzzer and decrease the airflow by a level.</p>
 <p>Reservation</p>	<p>Press the reservation button when the fan is working, the reservation display area will show "1", meaning the reservation lasts 10 min. 10 min later, the hood will beep to remind the end of reservation. Press the button twice, the timer display area will show "2", meaning the reservation lasts 20 min...by this analogy, the maximum reservation is 60 min. Upon end of reservation, press any button to cancel the beep.</p>
 <p>Light</p>	<p>Press the light button to turn on the light and repress to turn it off. Each press will trigger a tick from the buzzer. The Lighting Button only controls the spotlight.</p>
 <p>Cleaning reminder</p>	<p>The appliance has a "cleaning reminder" function. After the hood runs for 60h, the "cleaning reminder" icon will keep "ON" while the buzzer beeps to remind the user to clean the oil filter. At this time, the user can keep pressing the button to cancel reminder. Otherwise, the icon will go "OFF" automatically after 1 h.</p>

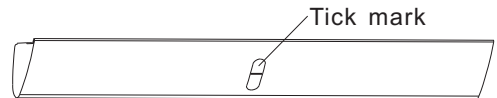
Maintenance and Services

Warning

1. There is a fire risk if cleaning is not carried out in accordance with the instructions.
2. Cleaning and maintenance shall be conducted under outage. Electrical components such as motor, switch, and connector shall not be spoiled by water so as to prevent from accidents.
3. It's prohibited to wash with water so as to prevent accidents.
4. Stove fire shall be extinguished timely when it is not used; do not flambe under the range hood and it's prohibited to bake food under range hood directly to prevent range hood from damaging and causing accidents.
5. If the supply cord is damaged, it must be replaced by the manufacturer, its service agent or similarly qualified persons in order to avoid a hazard.
6. Accessible parts may become hot when used with cooking appliances.

Notice

- The hood shall be cleaned and maintained regularly depending on the surroundings, so as to keep its cleanness & efficiency and extend its service life.
We recommend: Clean the surface of hood each time after cooking.
To ensure smooth discharge of fumes, the mesh cover shall be cleaned regularly with warm water and detergent according to actual situations. Be careful to avoid damage.
- Don't use the powerful detergent, we recommend to wipe with wet cloth soaked in neutral detergent and dry it by soft cloth. And avoid detergent to touch switches.
- Don't keep dirt on the surface of range hood for long time;
- Don't use cleaning ball, brush or other harsh tool to clean range hood. It may cause scoring.
- Wear gloves to clean or maintain range hood avoiding from hurt.
- Check oil cup regularly. Hold oil cup by hands as picture, then remove oil cup and pull out waste oil.
- Don't touch lamp if turn on or turn off in short time. It may cause scald.
- If range hood don't use for long time, pull out the plug. Don't haul plug crudely.



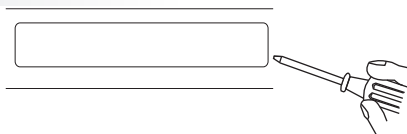
Parts Removal

Warning

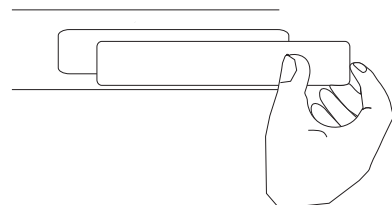
1. The machine body needs not to be disassembled in ordinary conditions. Disassembly shall be operated by professional serviceman.
2. The electricity must be cut off before clean, installation or maintenance of range hood.

Note: The assembly steps are opposite with the disassembly steps.
Please wear protective glove during operation avoiding from hurting hands.

Light Removal



Insert a small flathead screwdriver or something sharp in the gap between the light cover and hood.

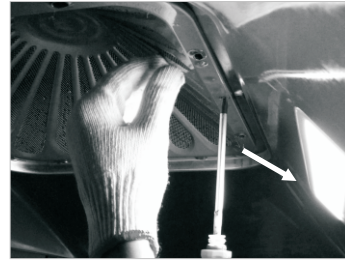


Raise it outward forcibly to remove the spotlight from the hood. Pull out the connector to replace the spotlight.

Filter Mesh Removal

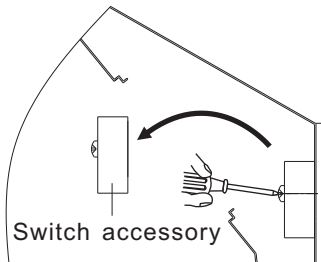


Firstly, take down the oil cup, then one hand hold the back of oil collector, the other hand hold the handle of oil collector and pull down gently to separate the oil collector from clip, and then take down the oil collector. Please be careful when taken down to avoid the oil in oil collector spill.



Aim at screw hole with cross screwdriver, and counterclockwise around 90 degrees. At the same time, the other hand hold the filter mesh. After filter mesh separate from hood, take down the filter mesh.

Switch Removal



After removing the light, use a Phillips screwdriver to remove the two screws on the switch. Push the switch assembly diagonally upward to take it out from the lamp hole for repair and replacement.

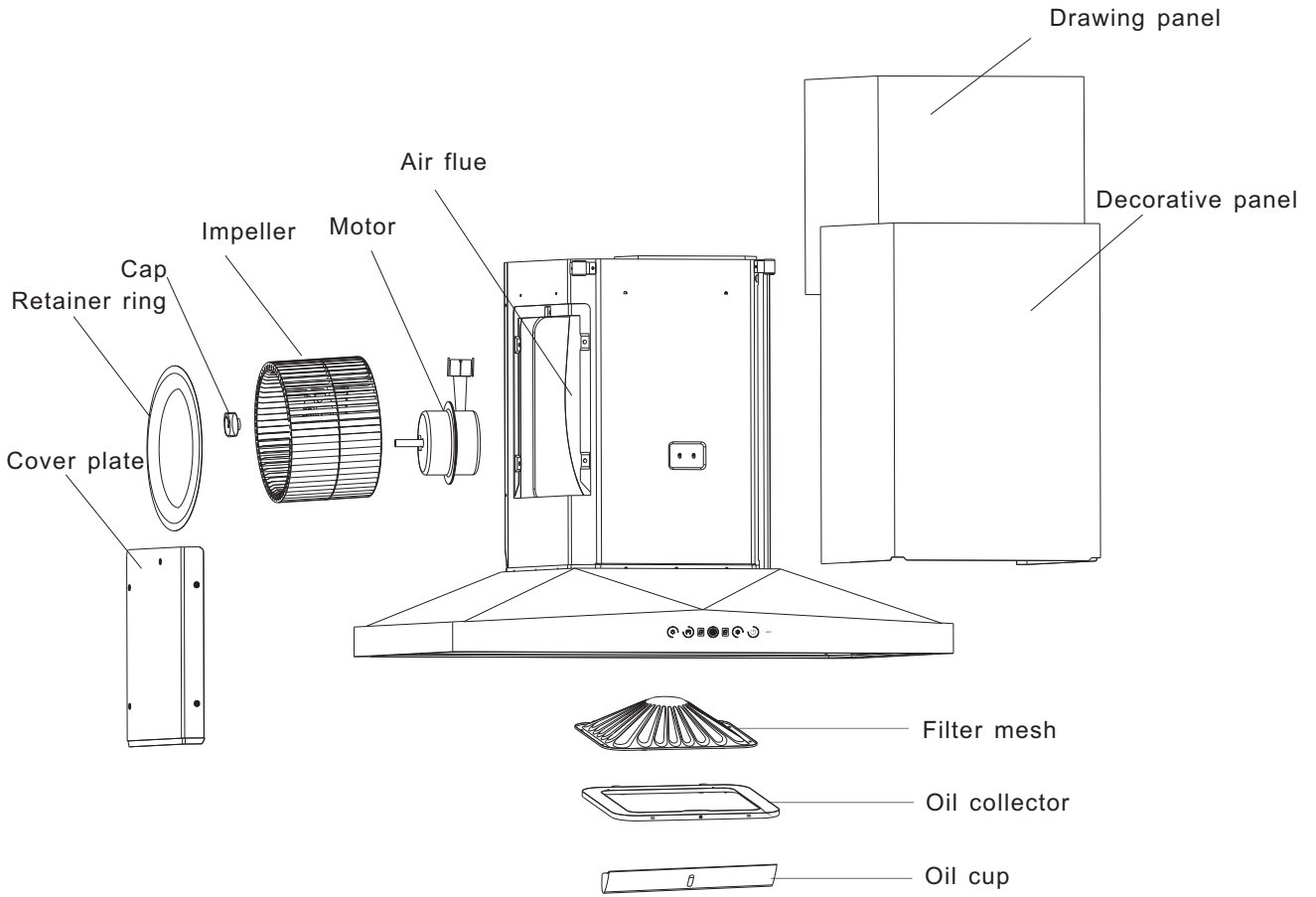
Removal Steps of Body

Removal steps:

- 1、 Pull out the plug;
- 2、 Take down the oil cup;
- 3、 Loosen drawing panel torsional spring in accordance with the method of Figure 4-3, then insert drawing panel into decorative panel;
- 4、 Unscrew the four screws from the back of the decorative panel. Tilt the panel forward to a certain angle, and then pull it up forcibly;
- 5、 Remove the drawing panel from the decorative panel;
- 6、 Use a Phillips screwdriver to unscrew the fastening screws on the cover to remove the cover;
- 7、 Unscrew the fastening screws on the retaining ring to remove the retaining ring;
- 8、 Unscrew the cap clockwise and take out the impeller vertically;
- 9、 Take down the filter mesh according to the instruction steps of "Filter mesh removal";

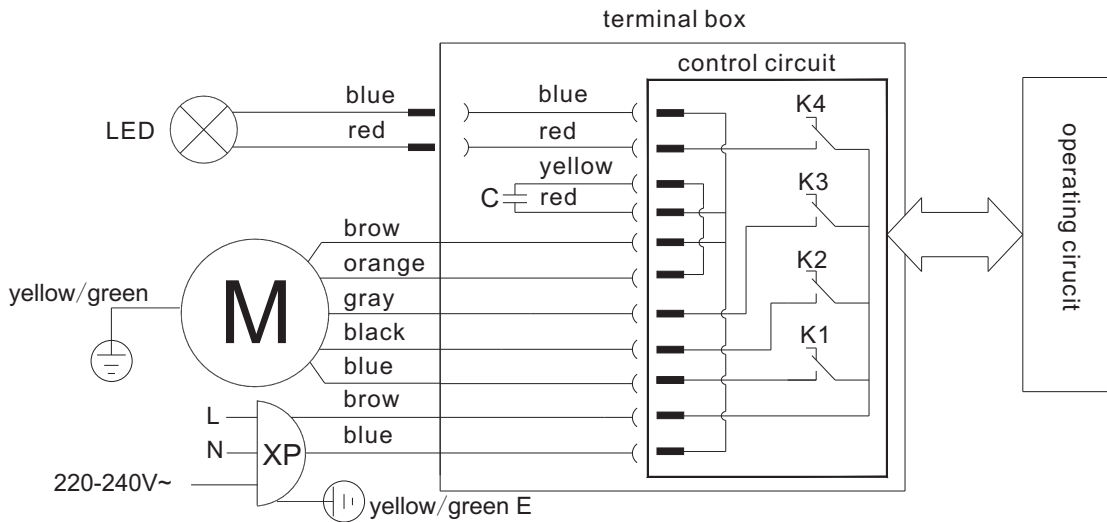
The installation and removal procedure in reverse. (When mounting the impeller, apply some lubricant to the shaft hole.)

Note: Step 3 and step 5 is unnecessary if no drawing panel is installed.

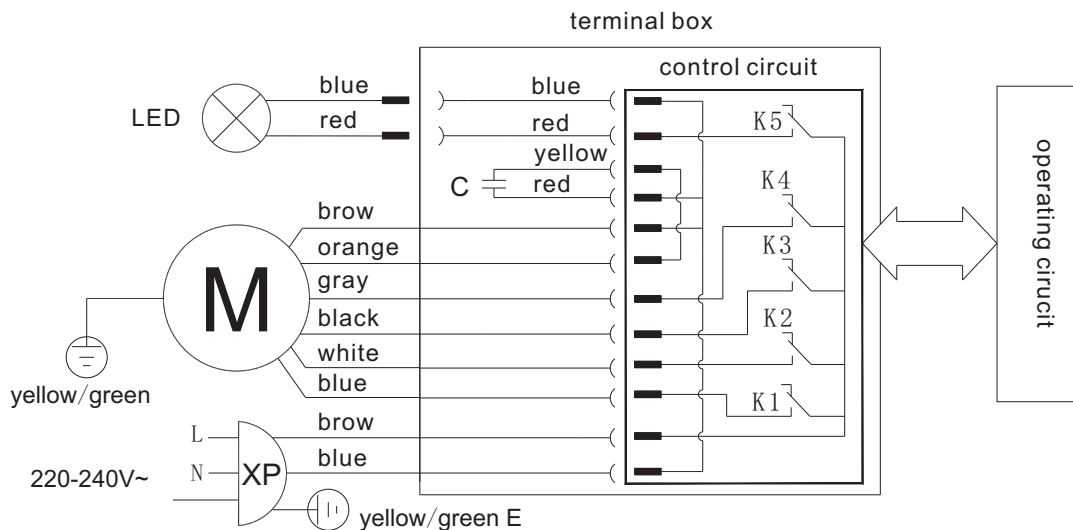


Circuit Diagram

A825 Circuit Diagram



A829 Circuit Diagram



General Troubleshooting

No.	Fault Phenomenon	Fault Cause	Elimination Methods
1	No response by pressing any switch (e.g. impeller does not rotate, lighting lamp is not on)	Power plug is not well connected or power outage	Well connect the power plug
2	Press the lighting switch but the lighting is off	Lighting lamp is broken or power plug is not well connected	Replace lighting lamp or well connect the power plug
3	There is induced electricity on the surface of machine body, hand numbness	Power socket is not well grounded	Use single phase tripolar socket for well ground
4	abnormal sound when impeller is rotating	Impeller is loosened, set screw of impeller is not tightened	Tighten the set screw of impeller
5	abnormal sound for ALUM-NOD	ALUM-NOD is not straightened	Please install according to the requirements of Operation Manual
6	Oil dripping at rear back of hood	Oil cup is not assembled in place after disassembly for cleaning	Assemble the oil cup in place

Any other problems, please contact our local service center or dealers.

Model : A825、 A829

Edition: A/0

Publication Date: August,1,2016

ROBAM